

A P P L I C A T I O N

Backhoe Dozer

Hybrid Hydraulic Excavator with Bulldozer Function

**Versatility for Varied
Job Requirements**



Backhoe



Bulldozer

Take a look at this Hitachi multi-function excavator. It serves as a backhoe and bulldozer. Its versatility and convenience really count on land development and reclamation sites.

Backhoe Dozer



Blade

Moves earth as easy as a bulldozer



- Precision finishing with the power tilt mechanism. (patented)
- Reduced step between blade and cutting edge to reduce mud packing.
- Wear-resistant blade and cutting edge.
- Retractable blade for storing convenience.
- Floatable blade for efficient surface finishing.

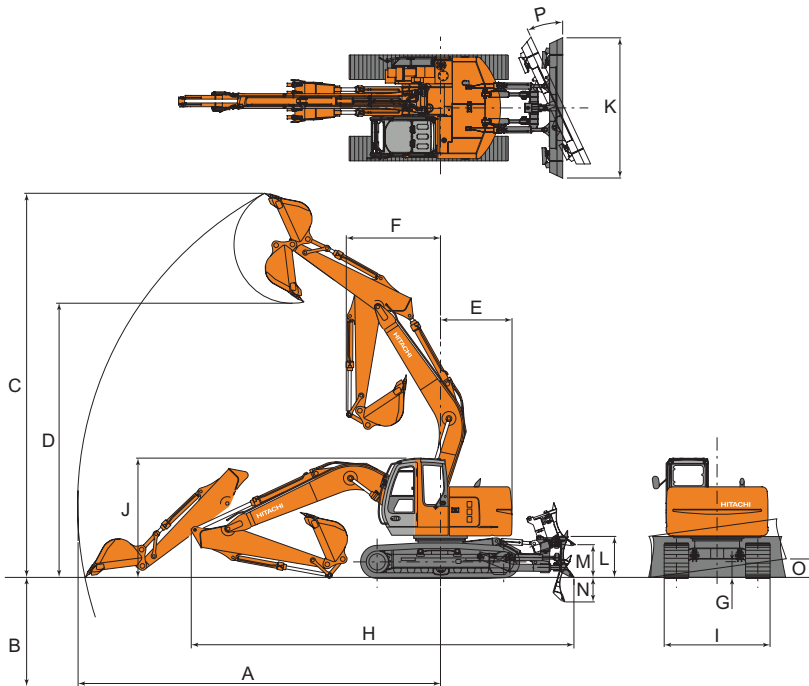
Specifications

MODEL		ZAXIS165D	ZAXIS195D
Operating weight	kg	16 800	19 700
Backhoe bucket	m ³	0.5	0.7
Swing speed	min ⁻¹ (rpm)	13.7 (13.7)	13.3 (13.3)
Travel speeds High/Low	km/h	5.0 / 2.6	5.3 / 3.1
Max. digging force	kN(kgf)	164 (16 700)	187 (19 100)
Ground pressure	kPa(kgf/cm ²)	46 (0.47)	52 (0.53)
Gradeability	° (%)	35 (70)	35 (70)
Engine			
Model		Isuzu CC-4BG1TC	Isuzu AA-4BG1TC
Rated power	kW(PS)	63 (85)	74 (100)



- Shoes are curved at both ends for smoother travel on firm ground, and more traction force on rough terrain due to increased ground contact area.

Working Ranges



Illustrated is the ZAXIS195D.

Unit:mm

MODEL	ZAXIS165D	ZAXIS195D
A Max. digging reach	8 300	8 960
B Max. digging depth* ¹	5 420	6 190
C Max. cutting height* ¹	9 320	9 710
D Max. dumping height* ¹	6 860	6 900
E Rear-end swing radius	1 465	1 750
F Min. front-end turning	2 060	2 270
G Min. ground clearance	385	385
■ DIMENSIONS		
H Overall length	8 490	9 430
I Overall width* ²	2 590	2 590
J Overall height	2 945	2 940
■ BLADE		
K Blade width	3 250	3 250
L Blade height* ¹	800	800
M Max. blade raising height* ¹	760	760
N Max. blade lowering depth* ¹	570	570
O Max. blade tilt	430	430
P Max. blade angle (Right/Left)	25 degree	25 degree

*1 Excluding track shoe lug.

*2 Retracted blade width.

Hitachi Construction Machinery Co., Ltd.

Head Office : 5-1 Koraku 2-chome, Bunkyo-ku,
Tokyo 112-8563, Japan
Telephone : (03)3830-8040
Facsimile : (03)3830-8204

These specifications are subject to change without notice.
Illustrations and photos show the standard models, and may or may not include optional equipment, accessories, and all standard equipment with some differences in color and features.
Before use, go through Operator's Manual for proper operation.