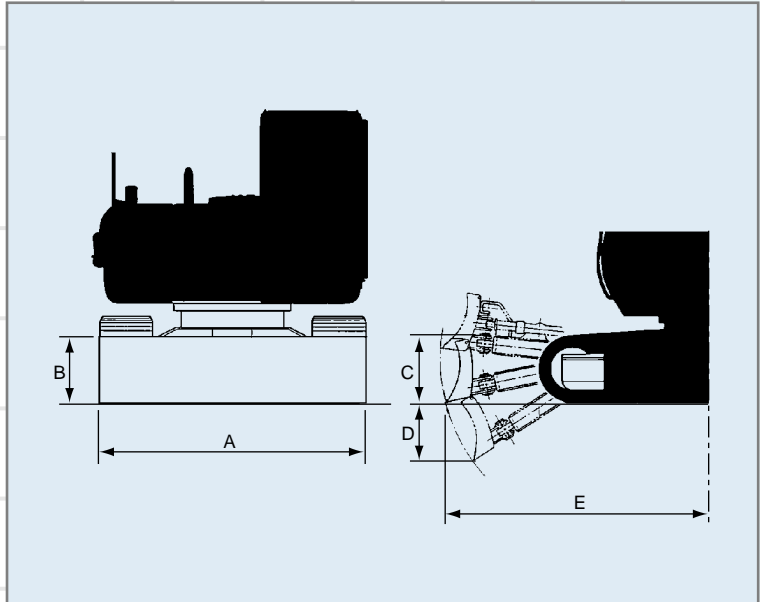


Blade

To achieve multiple tasks such as digging, loading, backfilling and grading by itself

- Smooth combined operation of travel and blade control
- The large box-structure blade and large-diameter cylinders increase durability and shock resistance.
- Displays its power to improve the stability of timberwork for banks.

Working Range Diagram



Specifications

Applicable Models		ZX70(LC)	ZX75US EX75UR-5	ZX120	ZX135US EX135UR-5
A	Width mm	2 300	2 320	2 500	2 490
B	Height mm	460	430	500	590
C	Lifting height mm	420	450	500	480
D	Falling depth mm	260	230	490	500
E	Horizontal blading distance mm	2 000	2 000	2 480	2 480

<Note> The blade is applicable to the ZX160LC.



PAT Blade



Power tilt



Power angle

Specifications

		ZX27U • ZX30U • EX35U	ZX40U • ZX50U	EX75UR-5
Lifting height/Falling depth	(Up/Down) mm	500 / 470	500 / 515	580 / 290
Tilt angle	(Up/Down) degree	6 / 6	8 / 8	7 / 7
Cutting angle	(Right/Left) degree	20 / 20	20 / 20	24 / 24