

# High-mount Cab (lift, fixed, and link types)

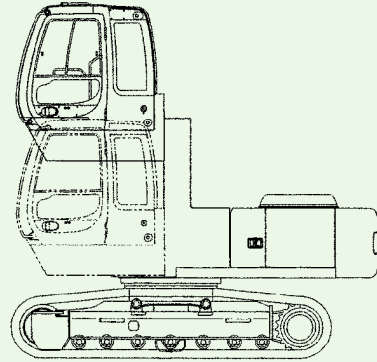
For achieving safe and high-efficiency loading jobs

- n **Lift type**
  - The cab is designed to vertically lift, allowing the operator to watch loading jobs more easily than with an obliquely-sliding cab.
  - Cab lift height can be adjusted according to job site situations.
- n **Fixed type**
  - Suitable for constant, stable operation, if transport is not required.
- n **Link type**
  - The cab can be positioned to an optional location appropriate to the job handled.

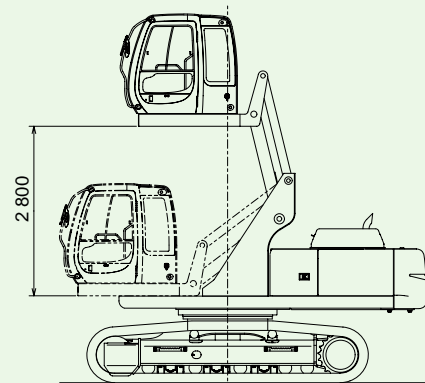


## Structure

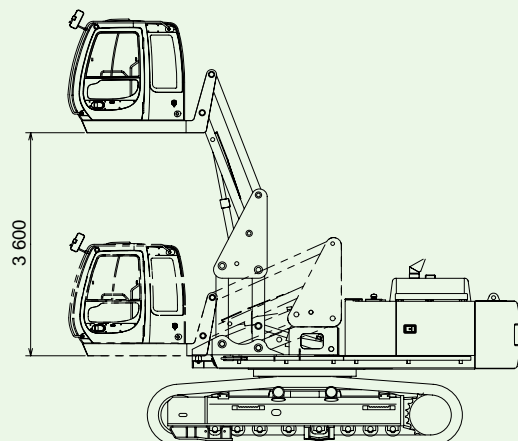
n Lift type



n Link type (1)



n Link type (2)



## Specifications

	Type	Cab height mm	Applicable Models
Lift type	S-LB15S	1 500	ZX200 ZX230
Link type (1)	S-LB28L	2 800	
Link type (2)	S-LB36WL	3 600	
Fixed type	S-FHC-10	1 000	ZX330
		1 500	ZX450
		2 000	

<Note> Some models other than the above are applicable.