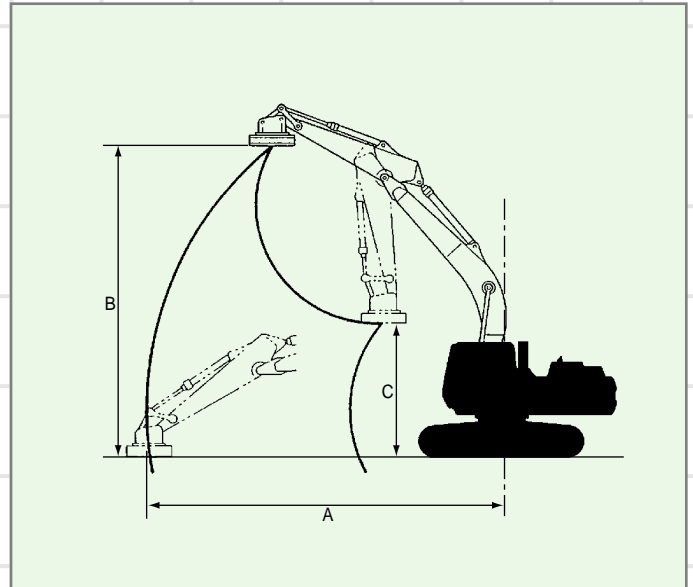


Lifting Magnet Machine

Features minimized load swing and smooth release

- Strong magnetic force and speedy release for superior work efficiency.
- Power generator is built into the base machine to widen rear visibility, as well as good appearance.
An external generator version is also available, from which stable power can be obtained.
- A magnet-and-fork type is also available for easily handling long-size scraps and nonferrous-metal materials.
- A "high-mount-cab" version is available to enable the operator to watch loading operation more easily.

Working Range Diagram



Specifications (Built-in generator type)

Applicable Models		ZX120	ZX200	ZX200LC	ZX230	ZX330LC	ZX450LC	
		Std. arm 2.25m	Std. arm 2.91m	Short arm 2.22m	Std. arm 2.96m	Short arm 2.66m	Long arm 4.9m	
Operating weight	kg	12 400	21 000	22 300	26 000	35 900	49 100	
A	Max. working radius*1	mm	7 215	8 680	8 020	8 955	9 195	11 980
B	Max. working height*1	mm	6 850	7 595	7 100	7 610	7 715	9 620
C	Height at arm crowded*1	mm	2 690	3 240	3 855	3 450	4 025	2 460
Magnet outer diameter		mm	920	1 120	1 320	1 320	1 520	1 520
Magnet weight*2		kg	820	1 400	2 210	2 210	2 990	2 990
Generator output		kVA	10	10	15	15	20	20

<Notes> *1 When lifting magnet is horizontal.

*2 May vary with specifications of lifting magnet used.

┆ This machine is applied exclusively to lifting magnet; cannot be used for backhoe.

┆ Applicable with the ZX450 or larger.

Lifting Magnet with Fork

- This version provides two features of magnet and grab to easily handle a wide range of material including metals, resin, wood, etc. for increased work efficiency.

Specifications (Built-in generator type)

Applicable Models		ZX120	ZX200	ZX230LC	ZX330LC
		Std. arm 2.25m	Std. arm 2.91m	Short arm 2.32m	Std. arm 3.20m
Lifting magnet radius	mm	720	1 120	1 320	1 320
Max. working radius	mm	7 570	9 160	8 980	10 300
Allowable scrap weight	kg	300	450	550	1 000

