

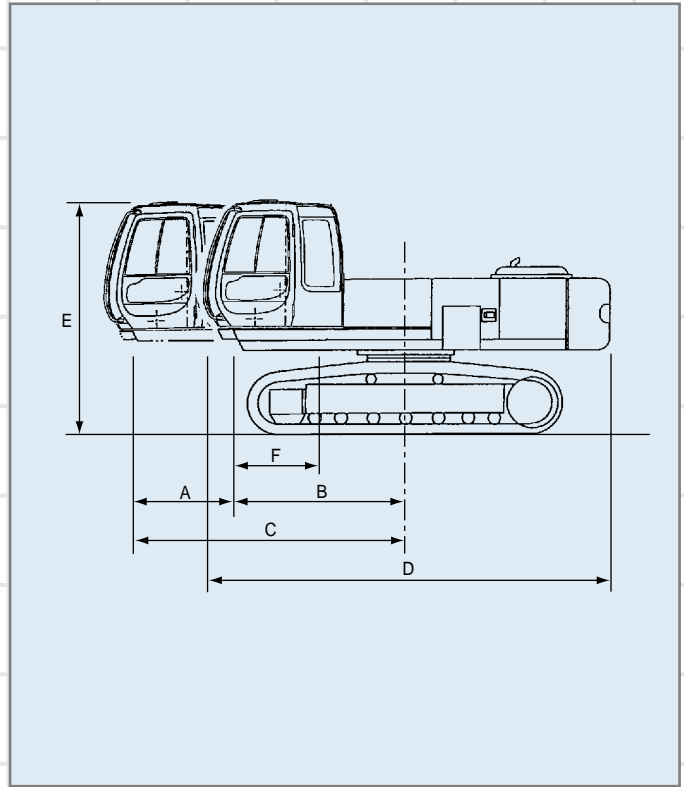
Sliding Cab

Ensures wide visibility during deep pit digging and good working efficiency

- The cab can be hydraulically slid at the fore where the operator can easily watch bucket motion during deep pit digging.
- Sliding distance is 1 000 mm to 1 300 mm.



Dimensions



Specifications

| Applicable Models | | ZX110/ZX120 | ZX200(LC) | ZX230(LC) |
|--|----|-------------|-----------|-----------|
| Added weight | kg | 650 | 690 | 690 |
| A Sliding quantity | mm | 1 000 | 1 300 | |
| B Length (cab retracted at maximum) | mm | 1 990 | 2 220 | 2 435 |
| C Length (cab extended at maximum) | mm | 2 990 | 3 520 | 3 735 |
| D Overall upperstructure length (cab retracted at maximum) | mm | 4 300 | 5 140 | 5 595 |
| E Overall height | mm | 2 910 | 3 060 | 3 080 |
| F Length when cab retracted at max. (compared with standard cab) | mm | 1 020 | 1 020 | |

<Note> Certain models may make the bucket interfere with the cab.