

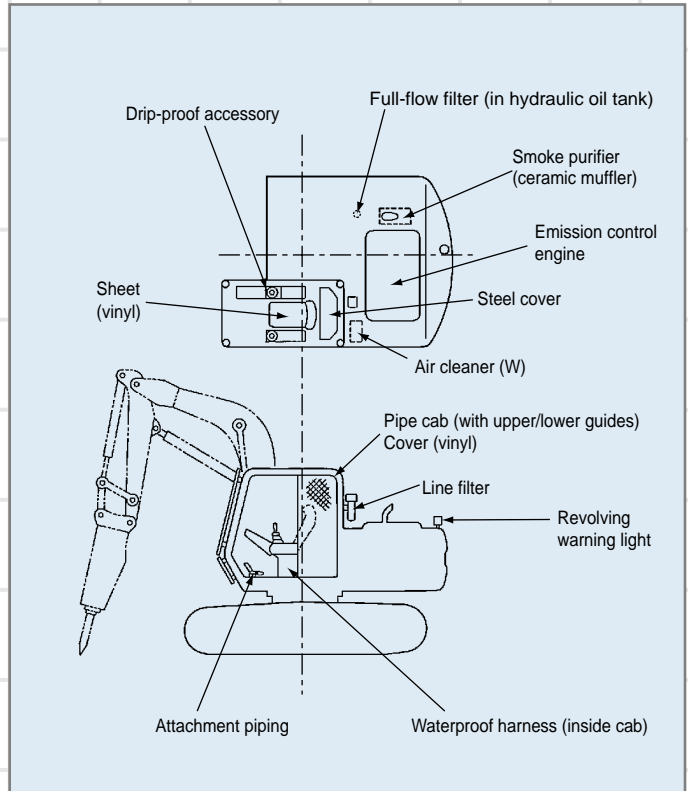
# Tunnel Machine

Various attachments can be mounted for tunneling through a mountain and for underground work.

- For environmental protection, an emission control engine and a ceramic muffler (smoke purifier) are provided.
- A durable pipe-type cab is used.
- Mountable attachments include loading shovel front, short-reach front, breaker, loading bucket, and twin header.
- HCM short-tail-swing machines are also applicable as a base machine.



## ● Example of Equipment/Accessories ●



## ● Major Equipment and Accessories ●

○ : Standard | ◐ : Option

Applicable Models	ZX75USTN	ZX120TN	ZX135USTN	ZX200TN	ZX225USTN	ZX225USRTN	ZX330TN	ZX450TN	Remarks
Emission control engine	○	○	○	○	○	○	○	○	
Smoke purifier (ceramic muffler)									
Pipe cab									
Vinyl sheet									
Electric appliance cover									
Drip-proof electric appliance									
Air cleaner double element									
High-performance full-flow filter									Made of 8 m glass fiber
Basic attachment piping									For breaker and twin header
Line filter									8 m filter for breaker
Speed selector piping									Variable flow for breaker and twin header
Breaker piping accessories									Accumulator, relief valve, etc. for line
Work light									Two on cab, one on boom right side
Patrol light									Lit during work (on counterweight)
Hand fire extinguisher									Arranged inside cab
Deck guard									To reduce damage of D-section frame
Swing alarm									
Travel alarm									
Cab cover									Vinyl cover for pipe cab
Non-computerized control							—	—	

- Short-reach front and loader front are available. Equipment and accessories other than the above are optionally available.