

# Features and Options

● STANDARD ▲ OPTION

## ENGINE

- Jacobs engine braking
- Dual element air cleaner with dust ejector valve
- Precleaner with automatic dust scavenging
- Water separator
- Serpentine drive belt with automatic tensioner
- Provision for fast fill

## COOLING

- Crankshaft mounted electronically controlled viscous fan drive
- Fan guard

## PNEUMATIC SYSTEM

- Engine-mounted compressor
- Air drier with heater
- Integral unloader valve

## ELECTRICAL SYSTEM

- Battery disconnect
- Drive Lights
- Air Horn
- Reverse alarm
- Rotating Beacon
- Pitch Roll Sensor
- ▲ Artic reverse lights

## STEERING SYSTEM

- Bi-directional ground-driven secondary steering pump

## CAB

- ROPS/FOPS certification
- Tilt cab
- Gas strut-supported door
- I-Tip programmable dump-body tip settings
- HVAC Climate control system
- AM/FM radio/CD player
- Rear window guard
- Wiper/washer with intermittent control
- Tilt and telescoping steering wheel
- Centre-mount air-suspension seat
- Forward work Lights
- ▲ LED work lights
- ▲ Rotating beacon: seat belt installation
- ▲ Remote engine and machine isolation
- Remote battery jump start
- Retractable 3 point seat belt
- Heated seat
- Foldaway trainer seat with retractable seat belt
- 12-volt power outlet
- Cab utility bin (removable)

## CAB

- Cup holder
- Cooled/heated lunch box
- Electric adjustable and heated mirrors
- Deluxe 10" colour LCD: Speedometer / Fuel gauge / Transmission oil temperature gauge / Engine coolant temperature gauge / LED function/warning indicators and audible alarm / Transmission gear selection / Tachometer / Battery voltage / Hour meter / Odometer / Fuel consumption / Tip counter / Trip timer / Trip distance / Metric/English units / Service codes/diagnostics.
- Backlit sealed switch module functions with: Wiper control / Lights / Heated mirrors / Retarding aggressiveness / Transfer case differential lock / Transmission gear hold / Dump-body tip limit / Automatic dump-body tip settings / Airconditioner/Heater controls / Preselected Speed Control.

## DUMP BODY

- ▲ Dump-body mechanical lock
- Dump-body mechanical lock - partially up
- ▲ Body liner
- ▲ Tailgate
- ▲ Body heater
- ▲ Less dump body and cylinders

## OTHER

- Automation Traction Control (ATC)
- Wet disc brakes
- 20.5 R 25 Radial Earthmover tyres
- ▲ 800/45 R 30.5 Low Ground Pressure tyres
- Remote grease banks
- ▲ Automatic greasing
- Onboard Weighing
- ▲ Load lights: stacks
- Reverse Camera
- ▲ Hand Rails
- Cab Peak
- ▲ High Pressure Hydraulic filter
- ▲ Fuel Heater
- Belly cover
- Cross member cover
- ▲ Remote transmission filters
- Fleetm@tic® Classic Package for 2 years
- ▲ Window smash button

# B20E

LOW GROUND PRESSURE



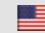
6x6



All dimensions are shown in millimetres, unless otherwise stated between brackets. Under our policy of continuous improvement, we reserve the right to change technical data and design without prior notice. Photographs featured in this brochure may include optional equipment.

BELL INTERNATIONAL: Tel: +27 (0)35-907 9431  
E-mail: [marketing@bellequipment.com](mailto:marketing@bellequipment.com) Web: [www.bellequipment.com](http://www.bellequipment.com)

 Tel: +61 (0)8-9355-2442  
 Tel: +49 (0)6631 / 91-13-0  
 Tel: +27 (0)11-928-9700  
 Tel: +44 (0)1283-712862

 Tel: +33 (0)5-55-89-23-56  
 Tel: +7-495-287-80-02  
 Tel: (704) 655 2802

Strong Reliable Machines  
Strong Reliable Support

# BELL

1354-B20E LGP ADT Mk 2.1, Stage IV Spec2520319 - English

Stage IV/  
Tier 4f Certified

- Gross Power: 170 kW (228 hp)
- Heaped Capacity: 11 m<sup>3</sup> (14,5 yd<sup>3</sup>)
- Rated Payload: 18 000 kg (39 683 lbs)
- Operating Weight: 34 493 kg (76 044 lbs)

# BELL

# Technical Data - Mk 2.1 B20E Low Ground Pressure

## ENGINE

Manufacturer  
Mercedes Benz (MTU)

Model  
OM934LA / 4R 1000

Configuration  
Inline 4, turbocharged and intercooled.

Gross Power  
170 kW (228 hp) @ 2 200 rpm

Net Power  
161 kW (216 hp) @ 2 200 rpm

Gross Torque  
900 Nm (664 lbf) @ 1 200 -1 600 rpm

Displacement  
5,1 litres (311 cu.in)

Auxiliary Brake  
Jacobs engine brake

Fuel Tank Capacity  
195 litres (52 US gal)

AdBlue® Tank Capacity  
31 litres (8,2 US gal)

Certification  
OM934LA meets EU Stage IV / EPA Tier 4 Final emissions regulations.

## TRANSMISSION

Manufacturer  
Allison

Model  
Standard non-retarder: 3000P ORS  
Optional retarder: 3000PR ORS

Configuration  
Fully automatic planetary transmission with integral retarder.

Layout  
Engine mounted

Gear Layout  
Constant meshing planetary gears, clutch operated

Gears  
6 Forward, 1 Reverse

Clutch Type  
Hydraulically operated multi-disc

Control Type  
Electronic

Torque Control  
Hydrodynamic with lock-up in all gears.

## TRANSFER CASE

Manufacturer  
Kessler

Series  
W1400

Layout  
Remote mounted

Gear Layout  
Three in-line helical gears

Output Differential  
Interaxle 33/67 proportional differential. Automatic inter-axle differential lock.

## AXLES

Manufacturer  
Bell

Model  
15T

Differential  
High input limited slip differential with spiral bevel gears

Final Drive  
Outboard heavy duty planetary on all axles.

## BRAKING SYSTEM

Service Brake  
Dual circuit, full hydraulic actuation wet disc brakes on front and middle axles.

Maximum brake force:  
173 kN (38 892 lbf)

Park & Emergency  
Spring applied, air released driveline mounted disc.

Maximum brake force:  
193 kN (43 388 lbf)

Auxiliary Brake  
Automatic Jacobs engine brake. Automatic, adjustable, integral, hydrodynamic transmission retarder. Output shaft speed dependent.

Total Retardation Power  
Continuous: 178 kW (239 hp)  
Maximum: 584 kW (783 hp)

## WHEELS

STANDARD: Type  
Radial Earthmover

Tyre  
20.5 R 25

OPTION: Type  
Flotation

Tyre  
800/45 R 30.5

## FRONT SUSPENSION

Semi-independent, leading A-frame supported by hydro-pneumatic suspension struts.

## REAR SUSPENSION

Pivoting walking beams with laminated rubber suspension blocks.

## HYDRAULIC SYSTEM

Full load sensing system serving the prioritized steering, body tipping and brake functions. A ground-driven, load sensing emergency steering pump is integrated into the main system.

Pump Type  
Variable displacement load sensing piston

Flow  
155 l/min (41 gal/min)

Pressure  
27 MPa (3 916 psi)

Filter  
5 microns

## STEERING SYSTEM

Double acting cylinders, with ground-driven emergency steering pump.

Lock to lock turns  
4,32

Steering Angle  
45°

## DUMPING SYSTEM

Two double-acting, single stage, dump cylinders.

Raise Time  
10 s

Lowering Time  
5,5 s

Tipping Angle  
70° standard, or any lower angle programmable

## PNEUMATIC SYSTEM

Air drier with heater and integral unloader valve, serving park brake and auxiliary functions.

System Pressure  
810 kPa (117 psi)

## ELECTRICAL SYSTEM

Voltage  
24 V

Battery Type  
Two AGM (Absorption Glass Mat) type.

Battery Capacity  
2 X 75 Ah

Alternator Rating  
28V 80A

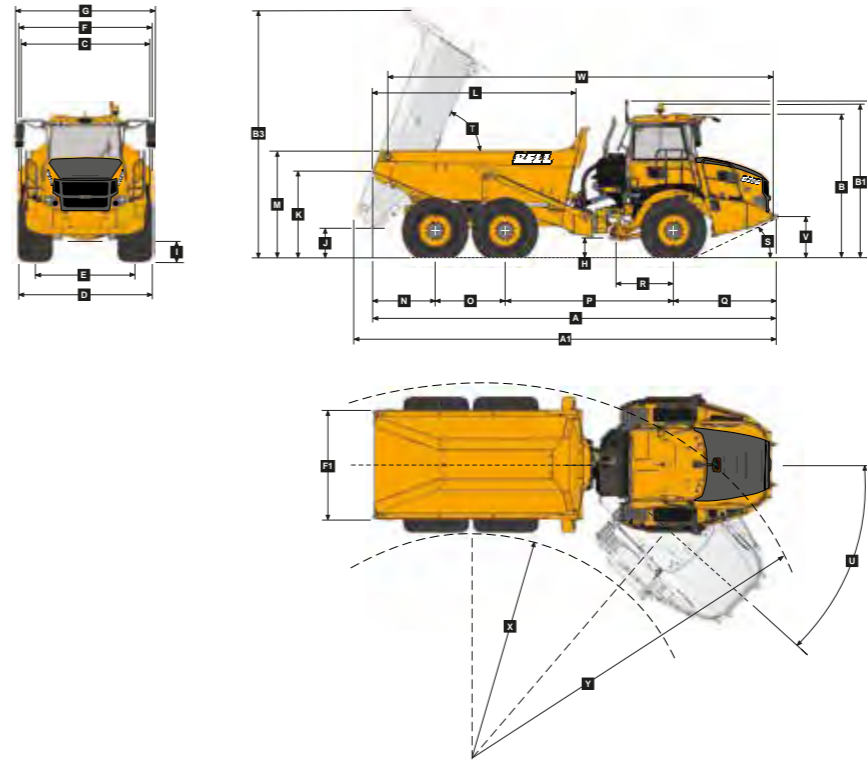
## VEHICLE SPEEDS

1st	6 km/h	4 mph
2nd	15 km/h	9 mph
3rd	19 km/h	12 mph
4th	27 km/h	17 mph
5th	36 km/h	22 mph
6th	47 km/h	29 mph
R	6 km/h	4 mph

## CAB

ROPS/FOPS certified 74 dBA internal sound level measured according to ISO 6396.

## Dimensions

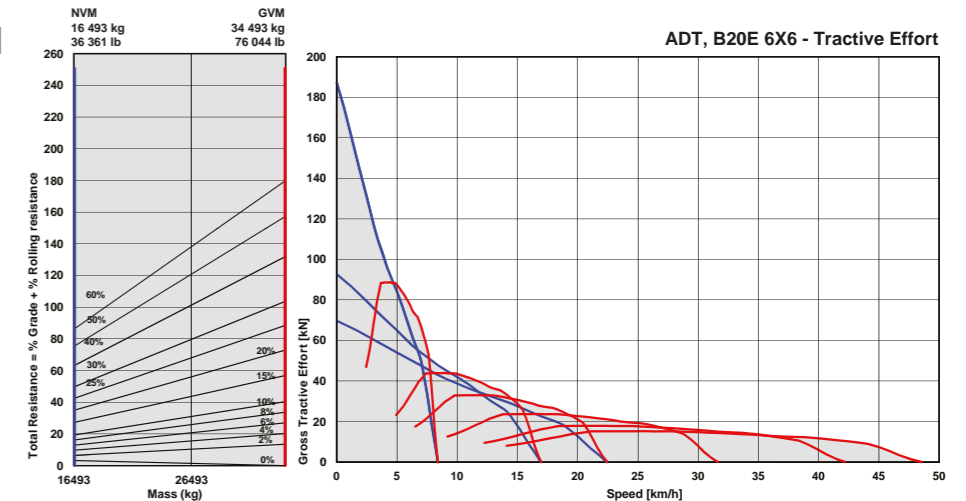


## Machine Dimensions

A	Length - Transport Position	9271 mm (30 ft.5 in)
A1	Length - Bin Fully Tipped	9560 mm (31 ft. 4 in)
B	Height - Transport Position	3385 mm (11 ft. 1 in)
B1	Height - Rotating Beacon	3619 mm (11 ft. 10 in)
B2	Height - Load Light	3702 mm (12 ft. 2 in)
B3	Bin Height - Fully Tipped	5742 mm (18 ft. 10 in)
C	Width over Mudguards	2984 mm (9 ft. 9 in)
D	Width over Tyres - 800/45-30.5	3102 mm (10 ft. 2 in)
D1	Width over Tyres - 20.5R25	2931 mm (9 ft. 7 in)
E	Tyre Track Width - 800/45-30.5	2312 mm (7 ft. 7 in)
E1	Tyre Track Width - 20.5R25	2399 mm (7 ft. 10 in)
F	Width over Bin	2540 mm (8 ft. 4 in)
F1	Width over Tailgate	2838 mm (9 ft. 4 in)
G	Width over Mirrors - Operating Position	3260 mm (10 ft. 8 in.)
H	Ground Clearance - Artic	498 mm (18,86 in.)
I	Ground Clearance - Front Axle	458 mm (17,48 in.)
J	Ground Clearance - Bin Fully Tipped	678 mm (26,38 in.)
K	Bin Lip Height - Transport Position	2067 mm (6 ft. 9 in.)
L	Bin Length	4709 mm (15 ft. 5 in.)
M	Load over Height	2537 mm (8 ft. 4 in.)
N	Rear Axle Centre to Bin Rear	1449 mm (4 ft. 9 in.)
O	Mid Axle Centre to Rear Axle Centre	1600 mm (5 ft. 2 in.)
P	Mid Axle Centre to Front Axle Centre	3865 mm (12 ft. 8 in.)
Q	Front Axle Centre to Machine Front	2357 mm (7 ft. 8 in.)
R	Front Axle Centre to Artic Centre	1361 mm (4 ft. 5 in)
S	Approach Angle	27°
T	Maximum Bin Tip Angle	70°
U	Maximum Articulation Angle	45°
V	Front Tie Down Height	1041 mm (3 ft. 5 in)
W	Machine Lifting Centres	8845 mm (29 ft.)
X	Inner Turning Circle Radius-800/45-30.	3678 mm (12 ft. 1 in)
X1	Inner Turning Circle Radius-20.5R2	3763 mm (12 ft. 4 in.)
Y	Outer Turning Circle Radius-800/45-30.	7585 mm (24 ft. 11 in.)
Y1	Outer Turning Circle Radius-20.5R2	7499 mm (24 ft. 7 in.)

## Grade Ability / Rimpull

- Determine tractive force by finding intersection of vehicle mass line and grade line. NOTE: 2% typical rolling resistance is already assumed in chart and grade line.
- From this intersection, move straight right across charts until line intersects rimpull curve.
- Read down from this point to determine maximum speed attained at that tractive resistance.



## Load Capacity & Ground Pressure

OPERATING WEIGHTS		GROUND PRESSURE		LOAD CAPACITY		OPTION WEIGHTS	
UNLADEN	kg (lb)	LADEN (No sinkage)		BODY	m <sup>3</sup> (yd <sup>3</sup> )		kg (lb)
Front	8 740 (19 268)	20.5 R 25	kPa (Psi)	Struck Capacity	9 (11)	Bin liner	778 (1 715)
Middle	4 016 (8 854)	Front	215 (31)	SAE 2:1 Capacity	11 (14,5)	Tailgate	633 (1 396)
Rear	3 737 (8 239)	Middle	309 (45)	SAE 1:1 Capacity	13,5 (17,5)	Extra wheelset	
Total	16 493 (36 361)	Rear	309 (45)	SAE 2:1 Capacity		20.5 R 25	355 (783)
<b>LADEN</b>		<b>LADEN (3" sinkage)</b>		with Tailgate	11,5 (15)	Extra wheelset	
Front	10 540 (23 237)	800/45 R 30.5	kPa (Psi)			800/45 R 30.5	338 (745)
Middle	12 006 (26 469)	Front	72 (10)	Rated Payload	18 000 kg		
Rear	11 947 (26 338)	Middle	95 (14)		(39 683 lbs)		
Total	34 493 (76 044)	Rear	95 (14)				

## Retardation

- Determine retardation force by finding intersection of vehicle mass line and grade line. NOTE: 2% typical rolling resistance is already assumed in chart and grade line.
- From this intersection, move straight right across charts until line intersects the curve.
- Read down from this point to determine maximum speed.

