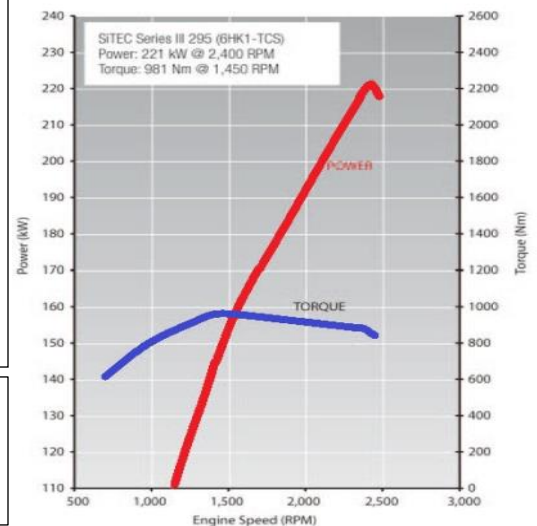


Model	FVD1000A	FVD950A
GCM (kg)	32,000	32,000
GVM (kg)	16,500	12,000
Max Power (kW)	221	221
Max Torque (Nm)	980	980
Wheelbase (mm)	5550	5550
Suspension	Air	Air



## ENGINE

<b>Engine Model:</b>	6HK1-TCS
<b>Type:</b>	6 cyl 24 valve, SOHC
<b>Displacement:</b>	7,790cc
<b>Compression Ratio:</b>	17.5:1
<b>Max Power (DIN Nett):</b>	221kW (300 HP) @2,400 RPM
<b>Max Torque (DIN Nett):</b>	980 Nm (723 lb.ft.) @1,450
<b>Emission Control System:</b>	Euro V with cooled EGR and Diesel Particulate Diffuser
<b>Fuel System:</b>	Electronically controlled direct injection, high pressure common rail 200 litre fuel tank with lockable fuel cap
<b>Air Intake System:</b>	Electronically controlled variable nozzle turbo charger with air-to-air Intercooler, vertical air intake behind cab



## PERFORMANCE

- Maximum Towed Mass (braked): 20,000kgs
- Maximum Towed Mass (unbraked): 2,000kgs
- 1<sup>st</sup> Gear Gradeability @GVM: 73%
- Est Engine RPM @90km/h : 2150

## TRANSMISSION

<b>Auto:</b>	Allison MD 3060P Gen 4 close-ratio full automatic
<b>Ratios (:1)</b>	1 <sup>st</sup> 3.49, 2 <sup>nd</sup> 1.86, 3 <sup>rd</sup> 1.41, 4 <sup>th</sup> 1.00, 5 <sup>th</sup> 0.75, 6 <sup>th</sup> 0.65, Rev 5.03
<b>PTO:</b>	Flywheel driven, counter-clockwise rotation viewed from front, 2 aperture positions, 4-o'clock and 8-o'clock

## AXLES

<b>Front Axle:</b>	Meritor FG941
<b>Type:</b>	Elliot reverse I-beam
<b>Capacity:</b>	6,600kgs
<b>Rear Axle:</b>	Meritor RS-23-161G
<b>Type:</b>	Full floating banjo type housing
<b>Capacity:</b>	10,400kgs
<b>Final Drive:</b>	457mm diameter ring gear
<b>Ratio:</b>	6.428

## CHASSIS

### Front Suspension

- Single stage alloy steel taper leaf spring

### Rear Suspension

- Hendrickson HAS230 air bag suspension
- Outboard-mounted hydraulic shock absorbers

### Steering

- Power assisted recirculating ball
- Gear Ratio 22.4:1
- Turns lock-to-lock 5.4

### Chassis Frame

- Cold riveted ladder frame with parallel side rails
- Rail dimensions (mm) 254 x 85 x 8
- HT540A weldable steel

### Brakes

- Meritor Q-Plus dual circuit, full air, S-cam drum brakes with auto-adjusting slack adjusters
- ABS
- Front drum 419mm x 127mm
- Rear drum 419mm x 178mm
- Spring park brake on rear wheels
- Air dryer
- Air controlled exhaust brake

### Wheels and Tyres

- Rims: 22.5 x 8.25 x 165mm 10-stud steel wheels
- Tyres: 275/70R22.5 148/145 M tubeless tyres
- Frame mounted spare wheel with tyre

### Electrical

- 24 volt negative earth system
- 60 amp alternator
- Batteries - 2 x 115E41L 80Ah, 665CCA @ 18°C

## CAB AND INTERIOR

### CAB EXTERIOR

- All steel construction, high tensile steel on cab under-frame and side impact beam reinforcement
- Cab is fully compliant with ECE-R29 crash tests
- Manual cab tilt to 45° with torsion bar assistance
- Liquid filled cab mounts
- 90° opening internally reinforced doors
- Door mounted 19" heated power mirrors, flat glass on main and convex on spot mirrors
- Air dam steel front bumper with integral fog lamps
- Halogen multi-reflector headlamps with integral turn signals
- Additional door-mounted turn signal indicators with cornering lamps
- Roof-mounted outline marker lamps
- Combined brake/turn/reverse/marker lamps

### CAB INTERIOR

- Driver's seat - ISRI 6870 air suspended seat for occupant mass up to 150kg, pneumatic lumbar support, height, rake, auto weight adjustment
- Front passenger adjustable bucket seat and front centre seat with folding backrest, console in backrest

### CAB INTERIOR (continued)

- SRS including air bag on both outer seats
- Door and pillar entry assist grips both sides
- Lined interior, padded roof lining and vinyl floor covers
- Manual control integrated air conditioning
- Height/reach adjustable steering column, soft-feel Urethane steering wheel
- Central locking with keyless entry and engine immobiliser
- Door mounted storage pockets, LH and RH glove boxes, RH and LH overhead storage shelf
- Centre console with storage tray
- Fluorescent interior lamp
- Multi Media radio/CD/DVD/MP3/WMA Player with 6.2" Touch Screen, Bluetooth, voice dialling, text to speech, SD and USB inputs, on-board recordable memory – optional external cameras with up to 4-way screen, GPS navigation and many other options
- 5 DIN sized compartments for extra communications and storage

### Instruments and Controls

- Tachometer, engine coolant temperature, fuel and dual brake air pressure gauges
- Two-speed wipers with intermittent wipe
- Key operated engine start, stop, steering lock
- DPD manual regenerate switch,
- **LH combination stalk:** windscreen wipers and washers exhaust brake
- **RH combination stalk:** Indicators, light switch, headlamp dip switch
- **Warning lamps:** Check engine, oil pressure, ABS, SRS, alternator charge, service brake, park brake on, seat belt, low air pressure, low fuel level, water-in- fuel, cab lock
- Indicator lamps – HSA, warm up system, high beam, DPD status, exhaust brake, turn signals
- **Multi info display** shows service interval, instant and average fuel cons, DPD bar chart, hour meter, voltmeter, time/day/date, 40-120 adjustable speed warning

## WEIGHTS (kgs)

Model Code	MODEL	RATINGS *		LOADING LIMITS (at ground)*		CHASSIS CAB TARE MASS **		
		GVM	GCM	FRONT	REAR	FRONT	REAR	TOTAL
FV0216	FVD1000A	16,500	32,000	6000	8200	3220	1990	5210
FV0916	FVD950A	12,000	32,000	6000	8200	3220	1990	5210

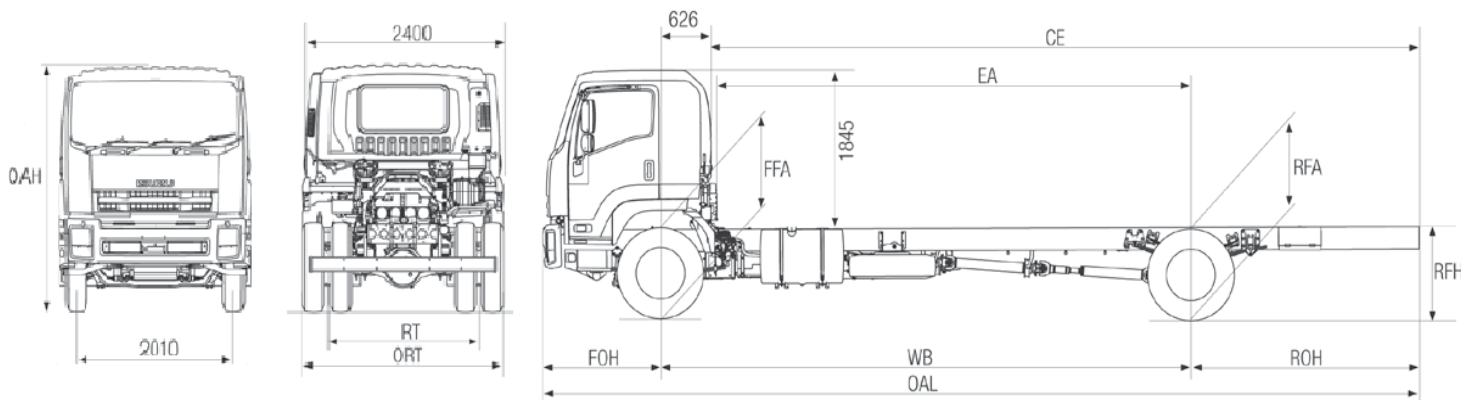
\* Vehicle ratings and front and rear mass limits are subject to regulatory requirements – Consult your dealer to select a specific vehicle to suit your requirements

\*\* Chassis cab as supplied from the factory including 10 litres of fuel

## DIMENSIONS (mm)

Models	WB	OAL	OAH *	FOH	ROH	EA	CE	RT	ORT	FW	RFH *	BOC	Kerb to Kerb (m)
FVD950A	5550	9255	2770	1440	2265	4924	7189	1840	2450	850	980	89	14.8
FVD1000A	5550	9255	2770	1440	2265	4924	7189	1840	2450	850	980	89	19.4

\* Unladen condition, chassis cab only



## WARRANTY

**Full vehicle warranty:** 36 months or 200,000 kilometres whichever occurs first

All warranty is subject to terms and conditions as detailed in the Owner's Manual Service and Warranty Supplement

A policy of continuous improvement means that these specifications are subject to change without notice. Contact your Isuzu dealer or visit our website at [Isuzu.co.nz](http://Isuzu.co.nz) to confirm specifications. Images of vehicles are representative only and may differ slightly from the actual vehicle