

L SERIES

ENGINE MODELS

- 4LE1 - NYBW01
- 4LE1 - NYBW02
- 4LE1 - NYBW03
- 4LE1 - NYBW04
- 4LE1 - NYBW05
- 4LE2 - PW10
- 4LE2 - PW11
- 4LE2 - PW12
- 4LE2 - PW13
- 4LE2 - PW15
- 4LE1 - TYBW01

FEATURES & BENEFITS

- Competitive tier rating
- Low fuel consumption
- Supported by Isuzu Customer Care
- Excellent durability
- Dependable power
- Flexibility for a variety of applications
- Class-leading performance

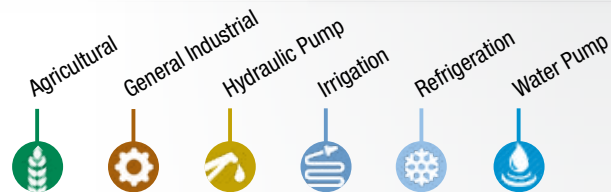
AVAILABLE OPTIONS

- Cooling system
- Air cleaner
- Exhaust system
- Auxiliary couplings
- Engine mountings
- Engine control systems
- Skid base

For warranty information and your full variable speed specifications visit isuzuengines.com.au



APPLICATIONS



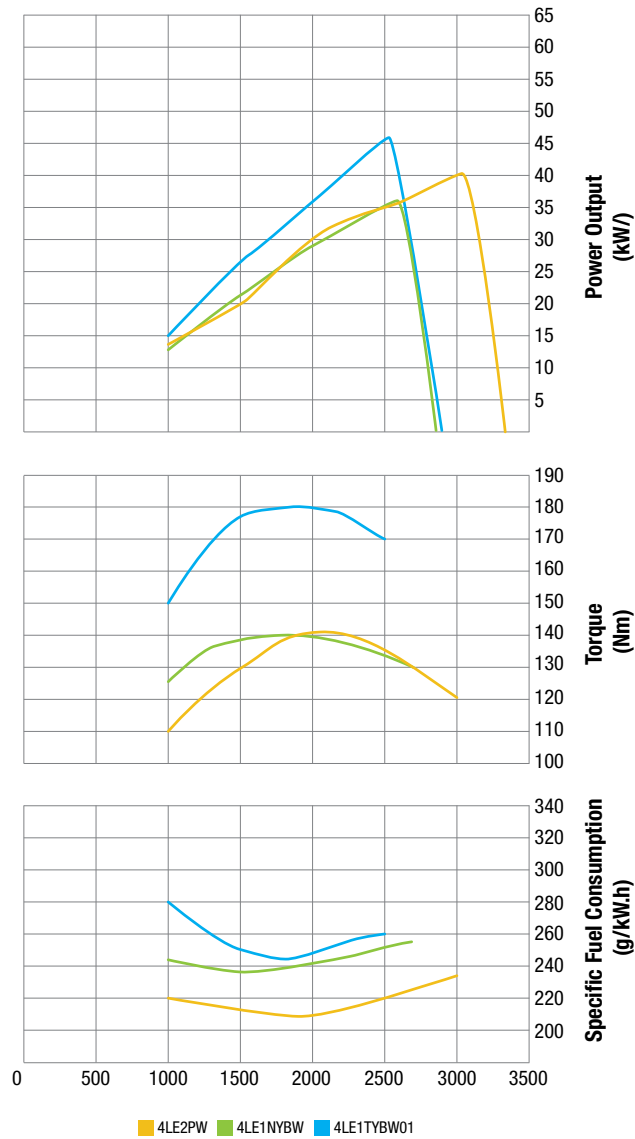
DIAS - YOUR APPLICATION ENGINEER IN A BOX

At Isuzu Engines, we want to be sure you're getting the right engine and accessories to suit your application. By using DIAS software, your Isuzu representative can walk you through a series of easy questions to ensure you get the best engine for the job. Ask your Isuzu dealer today for more details.

AT A GLANCE

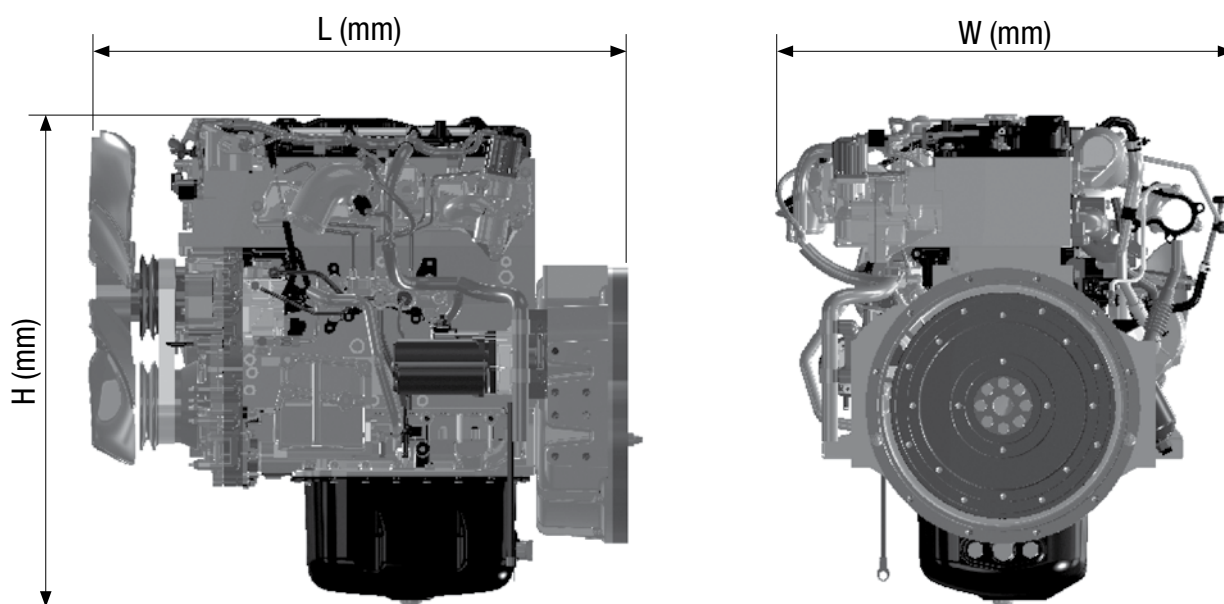
	Rated kW at rpm	Rated HP at rpm	Emission Compliance
4LE1 NYBW01	36 at 2600	49 at 2600	Interim Tier 4
4LE1 NYBW02	36 at 2600	49 at 2600	Interim Tier 4
4LE1 NYBW03	36 at 2600	49 at 2600	Interim Tier 4
4LE1 NYBW04	36 at 2600	49 at 2600	Interim Tier 4
4LE1 NYBW05	36 at 2600	49 at 2600	Interim Tier 4
4LE2 PW10	38 at 3000	52 at 3000	Tier 2
4LE2 PW11	38 at 3000	52 at 3000	Tier 2
4LE2 PW12	38 at 3000	52 at 3000	Tier 2
4LE2 PW13	38 at 3000	52 at 3000	Tier 2
4LE2 PW 15	38 at 3000	52 at 3000	Tier 2
4LE1 TYBW01	45 at 2500	61 at 2500	Interim Tier 4

ENGINE PERFORMANCE CURVES



L SERIES SPECIFICATIONS

Engine Family	Model Name	Power Rating			No. of Cylinders	Displacement [L]	Intake System	Injection System	Specific Fuel Consumption @ Rated Torque [g/kW.h]	Voltage [V]	Flywheel Housing	Flywheel	PTO	Emission Compliance
		Rated Output kW at rpm	HP at rpm	Max Torque Nm at rpm										
4LE1	NYBW01	36 at 2600	49 at 2600	140 at 1800	4	2.2	N/A	Mechanical	240	12	Rear Plate	SAE 7.5" Spigot & Bolt	N/A	Interim Tier 4
4LE1	NYBW02	36 at 2600	49 at 2600	140 at 1800	4	2.2	N/A	Mechanical	240	12	SAE #4	SAE 10"	Yes	Interim Tier 4
4LE1	NYBW03	36 at 2600	49 at 2600	140 at 1800	4	2.2	N/A	Mechanical	240	12	SAE #5	SAE 7.5" Spigot & Bolt	Yes	Interim Tier 4
4LE1	NYBW04	36 at 2600	49 at 2600	140 at 1800	4	2.2	N/A	Mechanical	240	12	SAE #4	SAE 10"	N/A	Interim Tier 4
4LE1	NYBW05	36 at 2600	49 at 2600	140 at 1800	4	2.2	N/A	Mechanical	240	12	SAE #5	SAE 7.5" Spigot & Bolt	N/A	Interim Tier 4
4LE2	PW10	38 at 3000	52 at 3000	143 at 2250	4	2.2	N/A	Mechanical	219	12	SAE #4	SAE 10"	N/A	Tier 2
4LE2	PW11	38 at 3000	52 at 3000	143 at 2250	4	2.2	N/A	Mechanical	219	12	Rear Plate	SAE 7.5" Spigot & Bolt	N/A	Tier 2
4LE2	PW12	38 at 3000	52 at 3000	143 at 2250	4	2.2	N/A	Mechanical	219	12	SAE #4	SAE 10"	Yes	Tier 2
4LE2	PW13	38 at 3000	52 at 3000	143 at 2250	4	2.2	N/A	Mechanical	219	12	SAE #5	SAE 7.5"	Yes	Tier 2
4LE2	PW15	38 at 3000	52 at 3000	143 at 2250	4	2.2	N/A	Mechanical	219	12	SAE #5	SAE 7.5"	N/A	Tier 2
4LE1	TYBW01	45 at 2500	61 at 2500	180 at 1800	4	2.2	T	Mechanical	245	12	SAE #4	SAE 10"	Yes	Interim Tier 4

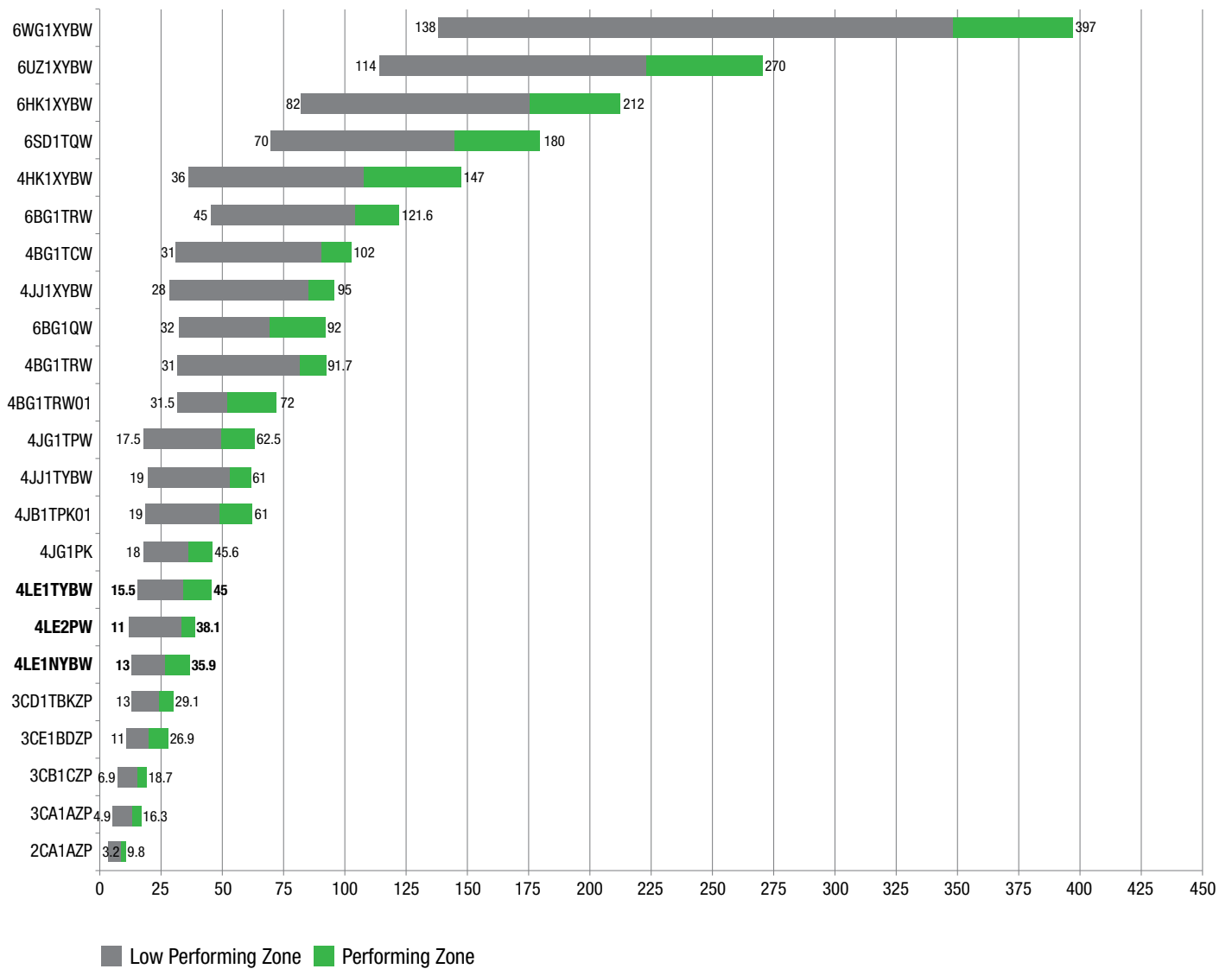


This drawing is representative only, for full L Series installation drawings visit www.isuzuengines.com.au

DIMENSIONS/WEIGHT

Engine Family	Model Name	Dimensions (mm)			Weight (kg)
		Length (L)	Width (W)	Height (H)	
4LE1	NYBW01	654	508	595	160
4LE1	NYBW02	754	501	602	170
4LE1	NYBW03	696	501	602	168
4LE1	NYBW04	754	523	602	170
4LE1	NYBW05	696	523	602	170
4LE2	PW10	753	488	602	164.5
4LE2	PW11	753	488	602	135.5
4LE2	PW12	753	488	602	164.5
4LE2	PW13	753	488	602	164.5
4LE2	PW15	753	488	602	164.5
4LE1	TYBW01	772	507	737	190

VARIABLE SPEED ENGINES POWERBAND



DISCLAIMER

Isuzu Australia Limited ABN 97 006 962 572 ("IAL"). The information in this leaflet was correct at time of printing, but all measurements, specifications and equipment are subject to change without notice.

Some equipment may have been changed and/or is available at extra cost. IAL may make changes at any time without notice, in prices, colours, materials, equipment and models. IAL makes all reasonable attempts to ensure the availability of all engines and equipment. The information in this leaflet is general in nature. Your Isuzu dealer can confirm all measurements, specifications and engine/equipment availability upon request.