

C SERIES

ENGINE MODELS

- 2CA1 - AZP01
- 3CA1 - AZP01
- 3CB1 - CZP01
- 3CB1 - CZP02
- 3CB1 - CZP03
- 3CB1 - CZP04
- 3CE1 - BDZP1
- 3CE1 - BDZP2
- 3CE1 - BDZP3
- 3CE1 - BDZP4
- 3CE1 - BDZP5
- 3CD1 - TBKZP1
- 3CD1 - TBKZP2

FEATURES & BENEFITS

- Competitive tier rating
- Low fuel consumption
- Supported by Isuzu Customer Care
- Excellent durability
- Dependable power
- Flexibility for a variety of applications
- Class-leading performance

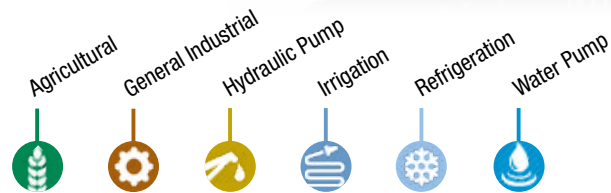
AVAILABLE OPTIONS

- Cooling system
- Air cleaner
- Exhaust system
- Auxiliary couplings
- Engine mountings
- Engine control systems
- Skid base

For warranty information and your full variable speed specifications visit isuzuengines.com.au



APPLICATIONS



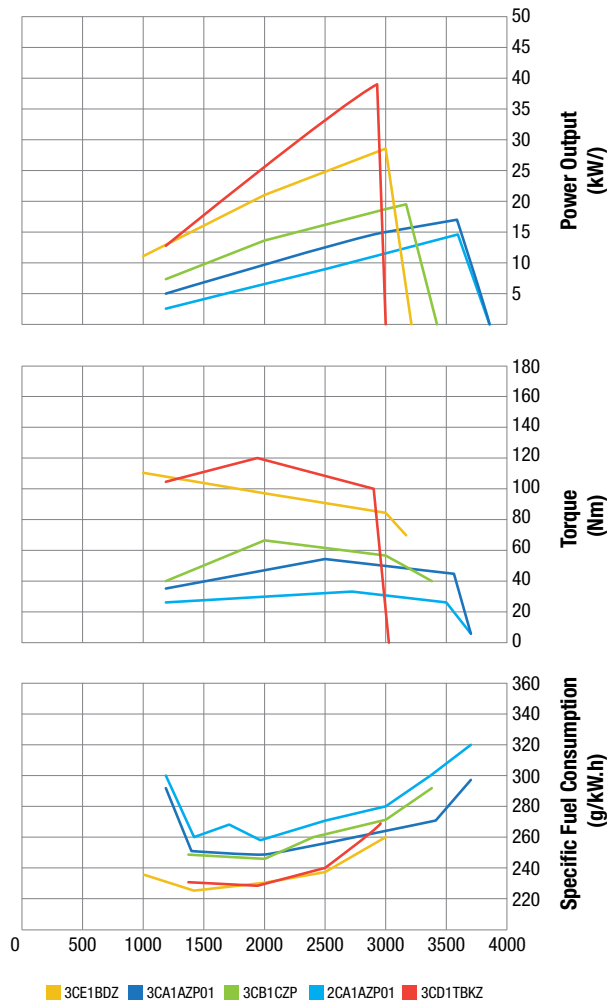
DIAS - YOUR APPLICATION ENGINEER IN A BOX

At Isuzu Engines, we want to be sure you're getting the right engine and accessories to suit your application. By using DIAS software, your Isuzu representative can walk you through a series of easy questions to ensure you get the best engine for the job. Ask your Isuzu dealer today for more details.

AT A GLANCE

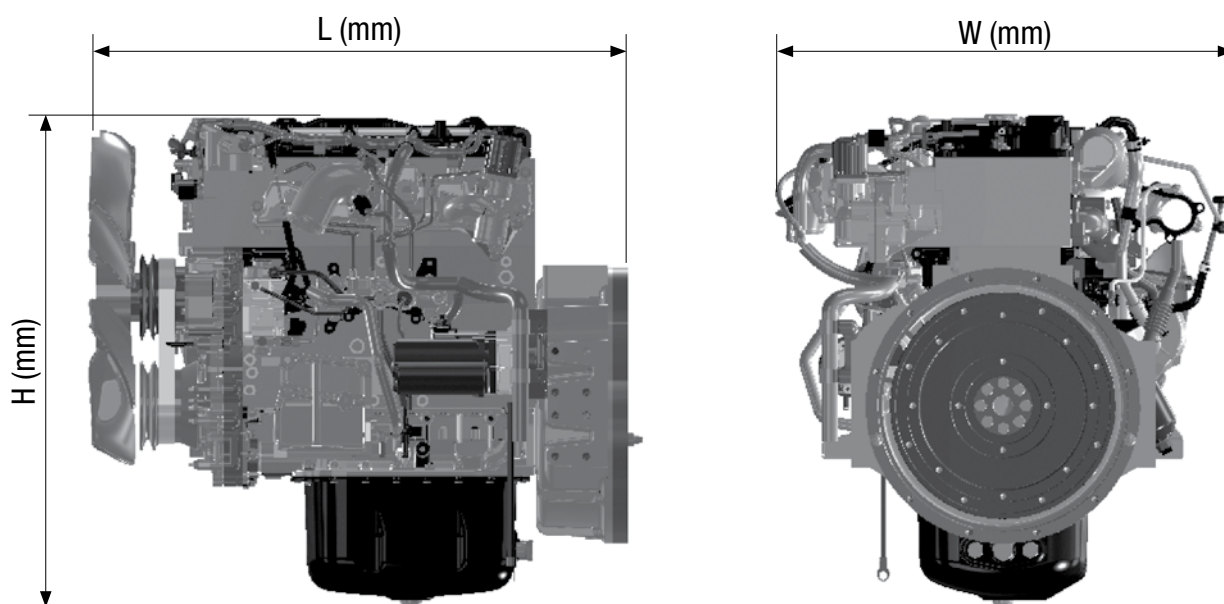
	Rated kW at rpm	Rated HP at rpm	Emission Compliance
2CA1 AZP01	10 at 3600	13 at 3600	Tier 4
3CA1 AZP01	16 at 3600	22 at 3600	Tier 4
3CB1 CZP01	19 at 3200	25 at 3200	Tier 4
3CB1 CZP02	19 at 3200	25 at 3200	Tier 4
3CB1 CZP03	19 at 3200	25 at 3200	Tier 4
3CB1 CZP04	19 at 3200	25 at 3200	Tier 4
3CE1 BDZP1	27 at 3000	37 at 3000	Interim Tier 4
3CE1 BDZP2	27 at 3000	37 at 3000	Interim Tier 4
3CE1 BDZP3	27 at 3000	37 at 3000	Interim Tier 4
3CE1 BDZP4	27 at 3000	37 at 3000	Interim Tier 4
3CE1 BDZP5	27 at 3000	37 at 3000	Interim Tier 4
3CD1 TBKZP1	29 at 2800	40 at 2800	Interim Tier 4
3CD1TBKZP2	29 at 2800	40 at 2800	Interim Tier 4

ENGINE PERFORMANCE CURVES



C SERIES SPECIFICATIONS

Engine Family	Model Name	Power Rating			No. of Cylinders	Displacement [L]	Intake System	Injection System	Specific Fuel Consumption @ Rated Torque [g/kW.h]	Voltage [V]	Flywheel Housing	Flywheel	PTO	Emission Compliance
		Rated Output kW at rpm	HP at rpm	Max Torque Nm at rpm										
2CA1	AZP01	10 at 3600	13 at 3600	30 at 2600	2	0.57	N/A	Mechanical	270	12	Semi SAE #6	SAE 7.5" Spigot & Bolt	N/A	Tier 4
3CA1	AZP01	16 at 3600	22 at 3600	49 at 2600	3	0.9	N/A	Mechanical	254	12	Semi SAE #6	SAE 7.5" Spigot & Bolt	N/A	Tier 4
3CB1	CZP01	19 at 3200	25 at 3200	64 at 2300	3	1.1	N/A	Mechanical	255	12	SAE #5	SAE 7.5" Spigot & Bolt	N/A	Tier 4
3CB1	CZP02	19 at 3200	25 at 3200	64 at 2300	3	1.1	N/A	Mechanical	255	12	Rear Plate	SAE 7.5" Spigot & Bolt	Yes	Tier 4
3CB1	CZP03	19 at 3200	25 at 3200	64 at 2300	3	1.1	N/A	Mechanical	255	12	Semi SAE #5	SAE 7.5" Spigot & Bolt	N/A	Tier 4
3CB1	CZP04	19 at 3200	25 at 3200	64 at 2300	3	1.1	N/A	Mechanical	255	12	Semi SAE #5	SAE 7.5" Spigot & Bolt	Yes	Tier 4
3CE1	BDZP1	27 at 3000	37 at 3000	103 at 1800	3	1.6	N/A	Mechanical	230	12	SAE #4	SAE 7.5" Spigot & Bolt	N/A	Interim Tier 4
3CE1	BDZP2	27 at 3000	37 at 3000	103 at 1800	3	1.6	N/A	Mechanical	230	12	SAE #5	SAE 7.5" Spigot & Bolt	Yes	Interim Tier 4
3CE1	BDZP3	27 at 3000	37 at 3000	103 at 1800	3	1.6	N/A	Mechanical	230	12	Rear Plate	SAE 7.5" Spigot & Bolt	N/A	Interim Tier 4
3CE1	BDZP4	27 at 3000	37 at 3000	103 at 1800	3	1.6	N/A	Mechanical	230	12	Semi SAE #4	SAE 7.5" Spigot & Bolt	N/A	Interim Tier 4
3CE1	BDZP5	27 at 3000	37 at 3000	103 at 1800	3	1.6	N/A	Mechanical	230	12	Semi SAE #5	SAE 7.5" Spigot & Bolt	Yes	Interim Tier 4
3CD1	TBKZP1	29 at 2800	40 at 2800	119 at 1900	3	1.5	T	Mechanical	230	12	Semi SAE #5	SAE 7.5" Spigot & Bolt	Yes	Interim Tier 4
3CD1	TBKZP2	29 at 2800	40 at 2800	119 at 1900	3	1.5	T	Mechanical	230	12	Rear Plate	SAE 7.5" Spigot & Bolt	N/A	Interim Tier 4

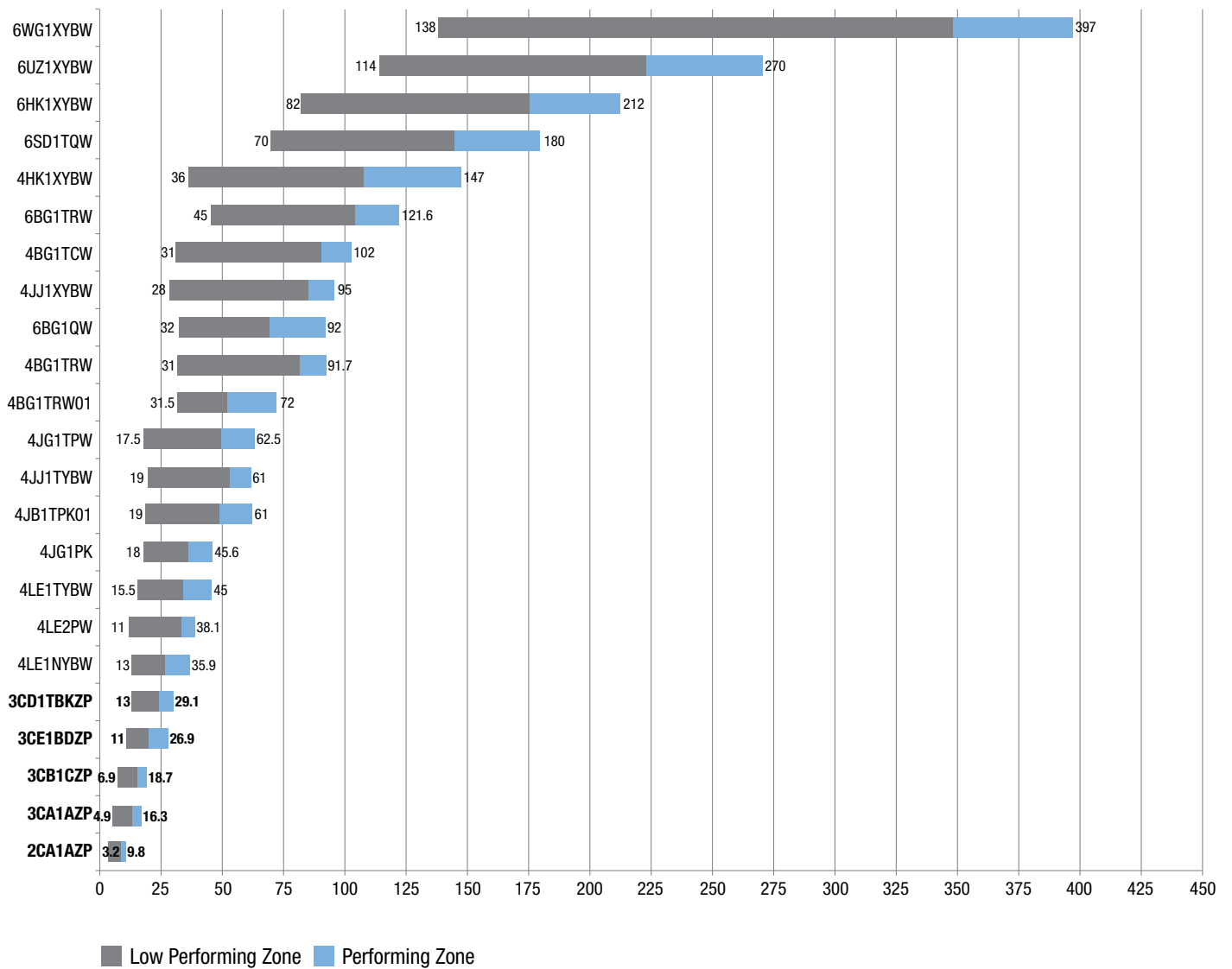


This drawing is representative only, for full C Series installation drawings visit www.isuzuengines.com.au

DIMENSIONS/WEIGHT

Engine Family	Model Name	Dimensions (mm)			Weight (kg)
		Length (L)	Width (W)	Height (H)	
2CA1	AZP01	439	454	528	84
3CA1	AZP01	518	454	576	98
3CB1	CZP01	570	455	586	117
3CB1	CZP02	545	450	586	101
3CB1	CZP03	550	455	574	117
3CB1	CZP04	545	450	574	112
3CE1	BDZP1	611	528	682	165
3CE1	BDZP2	611	528	682	165
3CE1	BDZP3	611	528	682	165
3CE1	BDZP4	611	528	682	165
3CE1	BDZP5	611	528	682	165
3CD1	TBKZP1	613	509	756	157
3CD1	TBKZP2	613	529	756	157

VARIABLE SPEED ENGINES POWERBAND



DISCLAIMER

Isuzu Australia Limited ABN 97 006 962 572 ("IAL"). The information in this leaflet was correct at time of printing, but all measurements, specifications and equipment are subject to change without notice.

Some equipment may have been changed and/or is available at extra cost. IAL may make changes at any time without notice, in prices, colours, materials, equipment and models. IAL makes all reasonable attempts to ensure the availability of all engines and equipment. The information in this leaflet is general in nature. Your Isuzu dealer can confirm all measurements, specifications and engine/equipment availability upon request.