



ISUZU **RED TECH**™

Reliable. Eco-friendly. Durable. Technologically Advanced

**4H** SERIES

**Dependable Power**

- 173 HP (129 KW) @ 1800 RPM (constant speed)
- 188 HP (140 KW) @ 2000 RPM (variable speed)

# START YOUR ENGINES (and go)



High technology exhaust after treatment provides the ideal level of applied simplicity and end user **performance to start and go farther.**

- Agricultural
- General Industrial
- Marine
- Eco-Friendly
- Automotive
- On Road Heavy Duty

**Applications**

- AWP
- Water Pump
- Hydraulic Pump
- Refrigeration
- Generator
- Asphalt Paver
- Irrigation

**Certifications**

U.S. EPA Tier **4**  
EU Stage **IV**

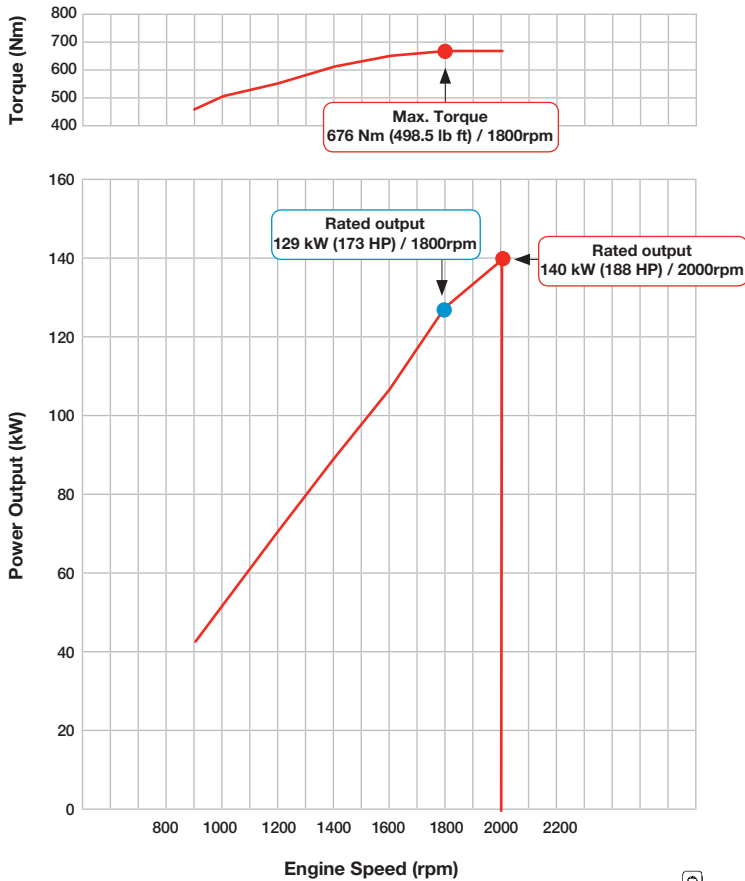
[isuzuengines.com](http://isuzuengines.com)



**ISUZU**  
DIESEL

## Performance

### Engine Performance Curves



#### Standard

- Emission Control Device, maintenance free
- DOC & SCR
- Other emission-reducing features, including Cooled EGR, Wastegate Turbocharger
- High pressure Common Rail and Direct Injection
- Electric & self-priming fuel lift pump
- Glow plug starting aid
- 5-year / 5,000-hour warranty
- 500-hour oil drain & service interval

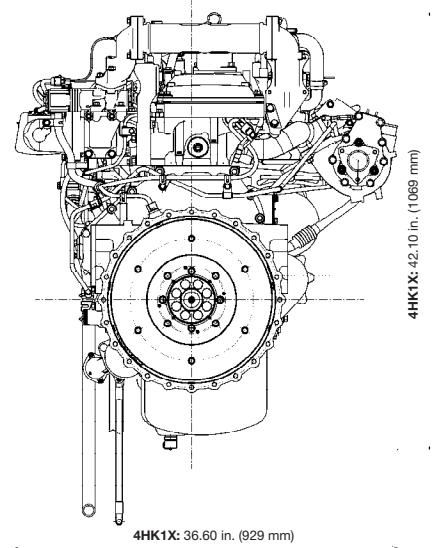
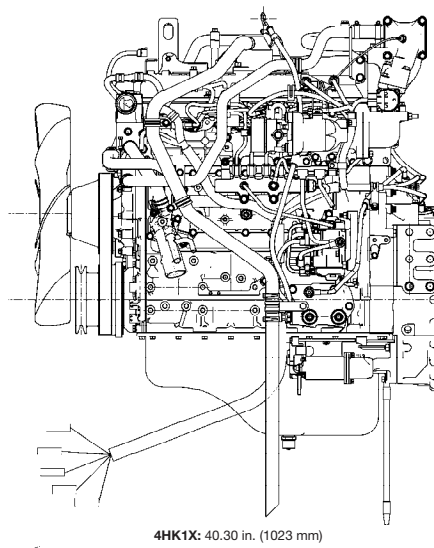
#### Available Options

- Side or bottom drain oil pan
- SAE B Gear Case PTO
- Flywheel housings: SAE #3
- Cooling packages
- Air cleaners
- Meter board and wire harness
- Engine mounting
- Weather and sound-proofing enclosure
- DEF System

### Engine Performance Curves

- 4HK1 – Constant Speed
- 4HK1 – Variable Speed

For additional information, please contact your local distributor or visit [isuzuengines.com](http://isuzuengines.com)



### Isuzu Motors America, LLC

46401 Commerce Center Drive  
Plymouth, Michigan 48170  
Phone: 734.582.9470  
Fax: 734.455.7581

ILS-4HK1X-017-2

**ISUZU**  
**DIESEL**

[isuzuengines.com](http://isuzuengines.com)