



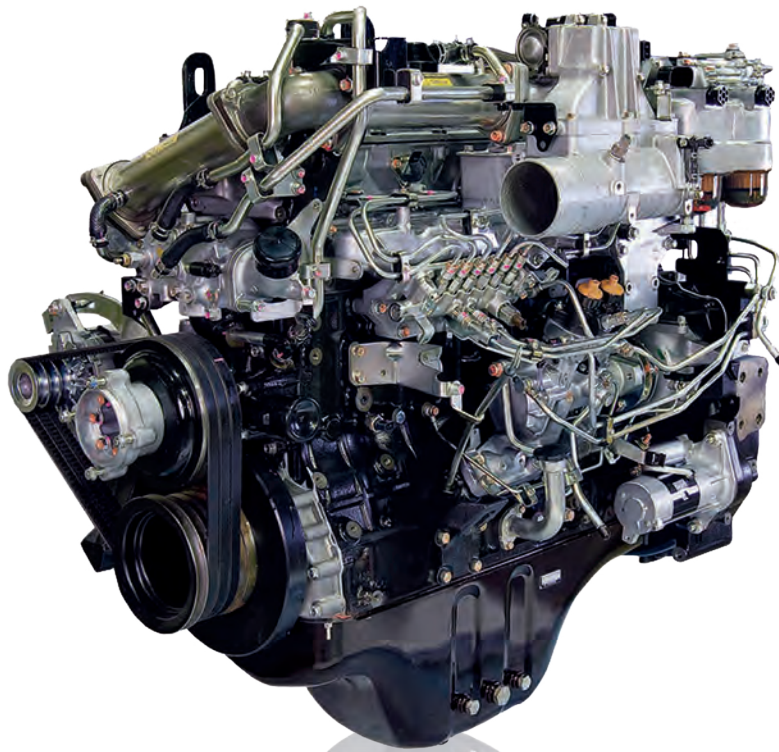
ISUZU  
**RED TECH™**  
Reliable. Eco-friendly. Durable. Technologically Advanced

**6U** SERIES

**Dependable Power** | 362 HP (270 KW) @ 2000 RPM (variable speed)

# TAKE IT FURTHER

(and farther)



High technology exhaust after treatment provides the ideal level of applied simplicity and end user performance to go farther.

**Certifications**

U.S. EPA Tier **4**  
EU Stage **IV**

[isuzuengines.com](http://isuzuengines.com)



- Agricultural
- General Industrial
- Marine
- Eco-Friendly
- Automotive
- On Road Heavy Duty

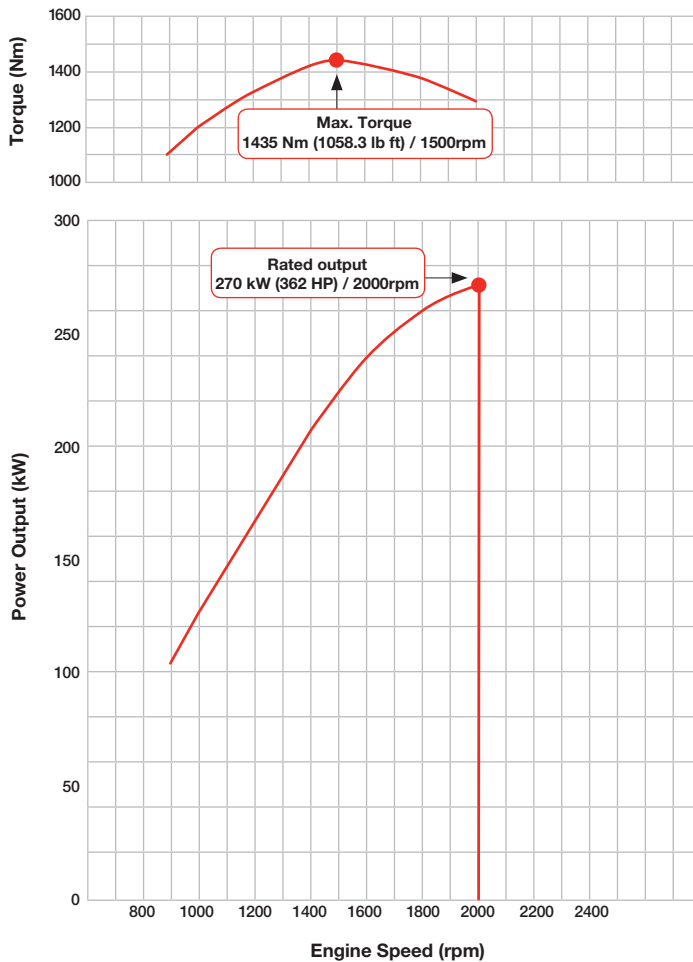
**Applications**

- AWP
- Water Pump
- Hydraulic Pump
- Refrigeration
- Generator
- Asphalt Paver
- Irrigation

**ISUZU**  
DIESEL

## Performance

### Engine Performance Curves

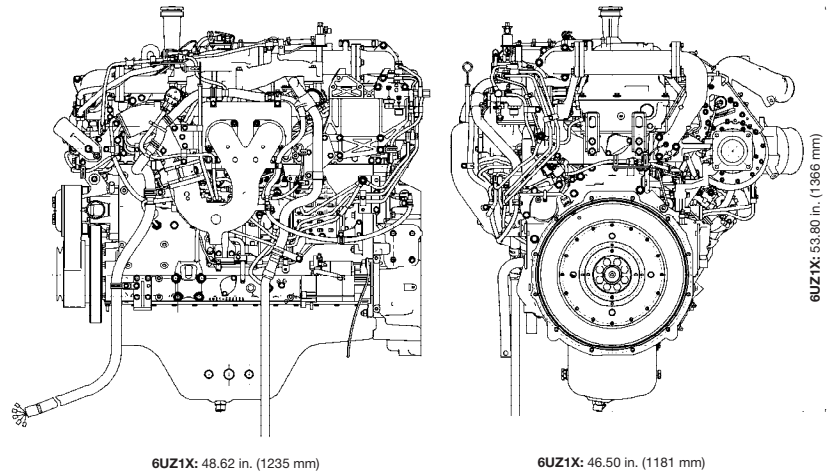


#### Standard

- Emission Control Device, maintenance free
- DOC & SCR
- Other emission-reducing features, including Cooled EGR, Wastegate Turbocharger
- High pressure Common Rail and Direct Injection
- Electric & self-priming fuel lift pump
- Glow plug starting aid
- 5-year / 5,000-hour warranty
- 500-hour oil drain & service interval

#### Available Options

- Side or bottom drain oil pan
- SAE B Gear Case PTO
- Cooling packages
- Air cleaners
- Meter board and wire harness
- Engine mounting
- Weather and sound-proofing enclosure
- DEF System



For additional information, please contact your local distributor or visit [isuzuengines.com](http://isuzuengines.com)

#### Isuzu Motors America, LLC

46401 Commerce Center Drive  
Plymouth, Michigan 48170  
Phone: 734.582.9470  
Fax: 734.455.7581

ILS-6UZ1X-017-2

**ISUZU**  
**DIESEL**

[isuzuengines.com](http://isuzuengines.com)