

TRACTOR

SHOGUN FP1640

4x2 ■ SHIFTPILOT

NEW
GENERATION

+ ADVANCED
SAFETY SYSTEMS

EURO 6
ENGINE +
TRANSMISSION



Power / Torque:
400ps/2,011Nm



Wheelbase:
3,800mm (G)



Suspension:
Air

- Active Emergency Braking
- Electronic Stability Control
- Lane Departure Warning

- Adaptive Cruise Control
- Driver Fatigue Monitoring
- 5yr/500,000km Warranty *(T&Cs inside)*

SPECIFICATIONS - SHOGUN FP1640 4x2

MODEL

4x2 FP1640 12 SP. SHIFTPILOT AIR SUSP. FP74HGR2VFBA

WHEELBASE (mm)

3,800 (G)

GVM (kg)

16,500

GCM (kg)

40,000

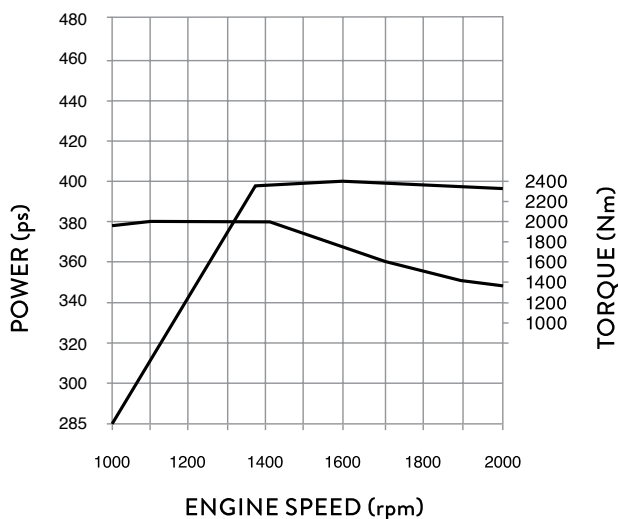
EURO 6
ENGINE +
TRANSMISSION

ENGINE

Engine Version	FUSO OM470 6 Cyl. In-line DOHC
Displacement	11 Litre (10,671cc)
Power (DIN)*	400ps (293kW) @ 1600rpm
Torque (DIN)*	2,011Nm (1484lbft) @ 1100rpm
Air Cleaner	Vertical Intake Mounted on Clean Air Side (RH)
Emission Control	Selective Catalytic Reduction (SCR + DPF)
Emission Level	EURO 6 (ADR80/03)

*Gross Calculated

OM470 – T2



FUEL

Injection System	X Pulse Common Rail High Pressure Direct Injection
Tank	400L Rectangular Alloy Tank + Locking Cap
AdBlue Exhaust Fluid Capacity	60L Tank + Locking Cap

ELECTRICAL

Voltage	24V Negative Ground, 100A Alternator
Battery Specification	Heavy Duty 2x12V, 150Ah / 20hr

CLUTCH

Type	FUSO Single Plate Fully Automated
------	-----------------------------------

TRANSMISSION

Version	FUSO SHIFTPILOT GENERATION 3 Automated Manual G230-12
Type / Speeds	12 Speed with Auto + Manual Modes Constant Mesh Non Synchronesh Transmission

TRANSMISSION CONTINUED

Features	Standard + Economy Modes: Calibrated for NZ Conditions Driver Activated Kick Down Skip Shift Function for Light Loads Crawler Mode Rock-Free Mode Eco Roll Eco Cruise	
Ratios	1st: 11.672 2nd: 9.101 3rd: 7.055 4th: 5.501 5th: 4.400 6th: 3.430 7th: 2.652	8th: 2.068 9th: 1.603 10th: 1.250 11th: 1.000 12th: 0.779 RHigh: 9.101 RLow: 11.673
PTO Opening	Rear	

FRONT AXLE

Axle Version	FUSO F900T "I" Beam
Max Operating Capacity (kg)	7,100 (Subject to suitable tyres + certification)

FRONT SUSPENSION

Type	Long Taper Leaf + Double Acting Shock Absorbers
Size (mm)	1,650 x 90

REAR AXLE

Axle	R440 Hypoid Drive
Max Operating Capacity (kg)	10,800
Ratio	3.909:1

REAR SUSPENSION

Details	Air Trailing Arm + 4 Bag / Axle Height Control (adjustable from steering wheel or remote control)
---------	---

BRAKES

Type	Full Air Taper Roller Drum Brakes + Auto Adjust, EBS, ABS, ASR (Traction Control)
Size Front / Rear (mm)	410x160 / 410x200
Park Brake	Rear Wheels Spring Actuated
Engine Brake	Jake Brake: Three-Stage including Shift Down Function – Max 335kW (460ps)
Air Compressor	Two-Stage + ECU Control for Fuel Saving
Air tanks	Alloy

WHEELS AND TYRES

Wheels	6 x Alcoa Alloy 22.5x8.25" ISO 10 Stud
Tyre Size Front / Rear	275/70R22.5

SPECIFICATIONS - SHOGUN FP1640 4x2

ADVANCED
SAFETY
SYSTEMS

CHASSIS

Type	Super Frame, Single Skin, Reinforced Parallel Channel
Size / Width (mm)	278x90x7.0 / 840
Refer to the bodybuilders guidelines on the Fuso website (www.fuso.co.nz) before mounting a body or modifying the chassis	

INSTRUMENTS

Gauges	Speedo / Tacho / Air pressure / Fuel level / Ad Blue level
Multi-Information Display accessed from steering wheel buttons	Digital Speedo Advanced Safety Systems Control Water Temperature Fuel Consumption Warning Lamps Service Indicators Hour Meter + Tripmeter Oil Level Check Alarm Clock
Steering wheel controls	Audio / Phone / Cruise Control / Multi-Information Display Menu / Speed Limiter

STANDARD FEATURES

Cab Cooling and Heating	Climate Control Air Conditioning
Accessory Power	24V Accessory Power Outlet x 2
Driving	SMART Key Push Button Start + Keyless Central Locking Electric Windows Fluorescent Cabin Lamp Interior Reading Lamps Engine Idle Speed Control

CAB FEATURES

Type	Low Floor All Steel 4 Point Air Suspended + Electric / Hydraulic Tilt Cab
Colour	Natural White (W31)
Seating Capacity	2 + Large Centre Console
Seat (driver)	Air Suspension Integrated Seat Belt Auto Levelling Height, Tilt, Lumbar + Dampening Adjust Armrest
Seats (passenger)	Bucket Seat with Integral Headrest
Interior	Fully Trimmed + Heavy Duty Vinyl on Floor Premium Rear Bunk Mattress + Curtains
External	Roof Mounting Points (max. static load 50kg) Front End-Outline Marker Lamps

SERVICE INTERVALS

60,000km full service / 15,000km safety inspection
60,000km full service intervals, depending on application/use. 15,000km safety inspection, with greasing, required for reliability and to maintain warranty cover.

WARRANTY

5 years / 500,000km
Simply have your vehicle serviced at an authorised FUSO Service Centre, at the recommended servicing intervals, and you are covered by an additional 2 year / 250,000km FUSO warranty on top of the first 3 years / 250,000km. That's a total of 5 years / 500,000km cover! Refer to the terms and conditions in the FUSO warranty booklet for full details.

SAFETY FEATURES

ACTIVE SAFETY FEATURES

Electronic Brake System (EBS)	Yes
Electronic Stability Control (ESC)	Yes
Active Brake Assist (ABA4)	Yes
Lane Departure Warning System (LDWS)	Yes
Active Attention Assist (Driver Fatigue Monitoring)	Yes
Proximity Control Assist (Adaptive Cruise Control)	Yes

CAB

Structure	ECE-R29 European Cab Strength (max front axle weight 6.5T) Door Side Impact Beams
Airbags	Driver (steering wheel)
Seatbelts	Pre-tensioner Integrated with seat (driver) Warning Light (driver)
Front Underrun Protector Beam (FUP)	Yes
LH Transom Window + Rear Quarter Glass	Yes
Steering Wheel	Leather, Tilt / Telescopic Adjustable
Rearview Mirrors	Remote Control, Heated + Separate Convex Spotter (both sides)
Auto-sensing Headlamps	Xtra Vision LED (low beam) Halogen (high beam) Manual height adjustment
Fog Lamps	Yes
Front Step Lights	Yes
Keyless Central Locking	Yes
Wipers	Auto sensing
Trailer Brake Control Lever	Yes
7" Touchscreen Media Unit	AM/FM/DAB + USB + AUX Apple CarPlay + Android Auto Wi-Fi enabled for Internet Radio Bluetooth, 32GB capacity storage HD Reverse Camera included †

CHASSIS

Speed Limiter	Yes (100km/h factory setting)
Jake Engine Brake (460ps)	Yes
Anti-Lock Braking System (ABS)	Yes
Brake Override System	Yes
Hill Start System	Yes
Traction Control (ASR)	Yes
Emergency Stop Signal (ESS)	Yes
Reverse Warning Buzzer	Yes

OPTIONS

† Additional Touchscreen Display Cameras (up to 4)
Truck Specific GPS Navigation
Reversing Sensors
Tyre Pressure Monitoring System (up to 36 tyres)
Wireless Phone Charge Pocket

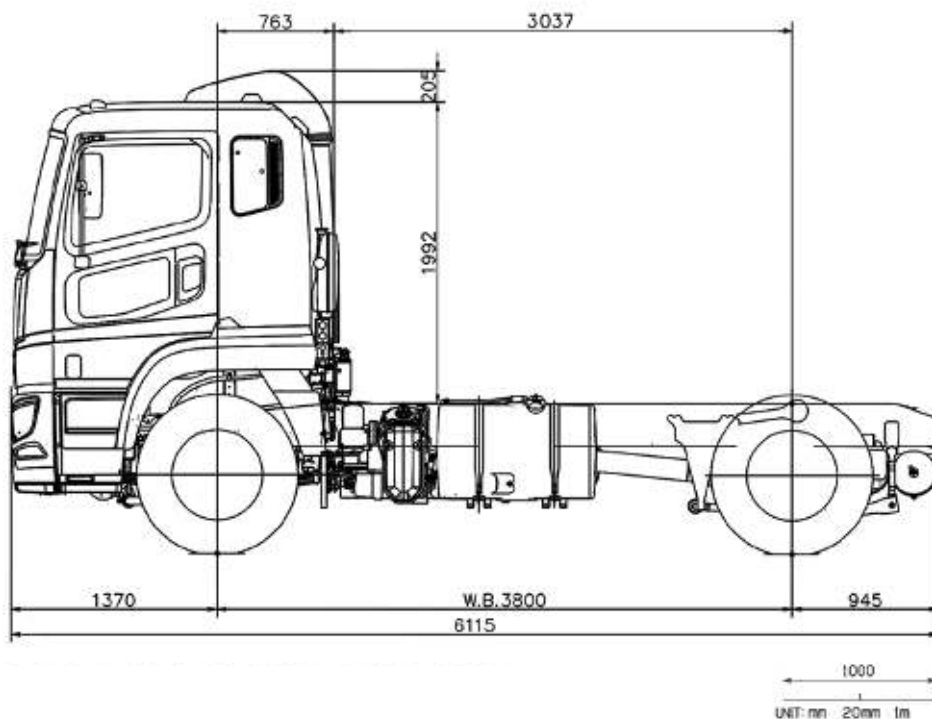
KERB WEIGHTS AND MAX AXLE LOADS (kg)

Model	Vehicle Ratings**	Max Axle Loadings**		Kerb Weights*				
		GVM	GCM	Front***	Rear	Total		
4x2 FP1640 12 Sp. SHIFTPILOT Air Susp.	FP74HGR2VFBA	16,500	40,000	7,100	10,800	4,340	1,840	6,180
* Weights (est.) includes 10L fuel and are subject to 3.5% variation (+/-)		** Vehicle ratings and max axle loadings may be limited by local regulations.						
*** Subject to suitable tyres and certification								

SPECIFICATIONS - SHOGUN FP1640 4x2

PERFORMANCE		DIMENSIONS (mm)	
Turning Circle (kerb to kerb - metres)	12.8	Wheelbase	3,800
Electronically Speed limited to 100km/hr	Can be adjusted lower by dealer	Length Overall	6,115
Engine Speed (rpm) 90km/hr (top gear)	1,600	Height Overall	3,155
Gradeability at Rated GCM (theoretical)*	30%	Width Overall	2,490
		Width Rear Axle	2,475
		Width Front track	2,075
		Width Rear Track	1,865
		Width Frame	840
		Height Frame at Rear Axle	960 (Air Susp. inflated)

*This is theoretical performance only. Actual performance may vary under different conditions



4x2 SHOGUN FP1640 TRACTOR – ‘G’ WHEELBASE

Scale = 1:50 (20mm = 1 metre). This scale is accurate when used on the original spec sheet, be aware that enlarging these illustrations can alter the scale and cause incorrect measurements. Fuso New Zealand and its authorised dealers always recommend customers seek professional advice from independent sources before commencing any engineering activities.

A policy of continual improvement means that specifications detailed in this brochure are subject to change without notice. Contact your authorised Fuso dealer to confirm current specifications. Fuso is a registered trademark of Mitsubishi Fuso Truck & Bus Corporation. Copyright © Fuso NZ (2019)