

HYDRAULIC ROCK BREAKER

SC22



KEY ASSET
FOR ALL JOBSITES

DESIGNED FOR 2.5 TO
5.3 TONNES CARRIERS

COMPACT AND POWERFUL

LANDSCAPING, DEMOLITION,
TRENCHING, CIVIL ENGINEERING,
INSIDE AND OUTSIDE:
VERSATILE AND EFFICIENT

BENEFITS

- Hydraulic accumulator: no more regular nitrogen controls and recharges on jobsites.
- Tie rod free, lighter tool locking system: less weight, more power and reliability.
- Made in France: superior quality steel and manufacturing excellence.
- Standard soundproofing for urban jobsites.
- Easy to install, operate and maintain.

HYDRAULIC ROCK BREAKER

KEY ASSET FOR ALL JOBSITES

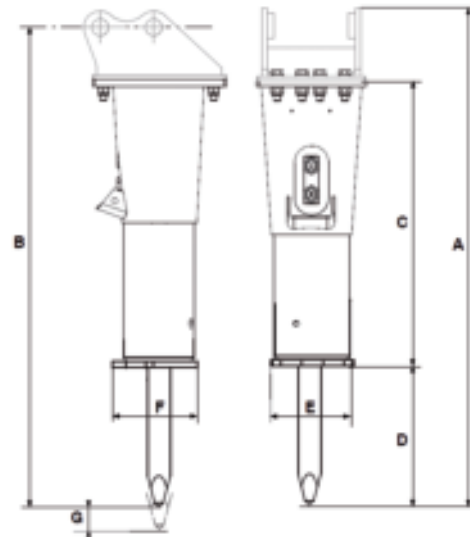
WEIGHT & DIMENSIONS

WEIGHT (KG/LB)

BREAKER	134	295
+ MOUNTED TOOL	150	330
+ MOUNTED ADAPTER PLATE (MAX)	230	507

DIMENSIONS (MM/IN)

A	1,412	55.5
B	1,357	53.4
C	812	31.9
D	370	14.5
E	214	8.42
F	240	9.44
G	45	1.77



OPERATING INFORMATION

CARRIER WEIGHT RANGE (MIN-MAX, MT)	2,5-5,3
OIL FLOW (MIN-MAX, L/MIN / GPM)	30-65 8-17.2
MAXIMUM OPERATING PRESSURE (BAR/PSI)	120 1,740
MAXIMUM BACK PRESSURE (BAR/PSI)	30 435
INPUT POWER (KW)	13
STRIKING FREQUENCY (MIN-MAX, BPM)	600-1,360
NOISE LEVEL /10M (DBA)	89
SOUNDPROOFING	standard

CONSUMABLES

GREASE CARTRIDGES (X48)

CPN

86799152

OPTIONS

CPN

HOSES PROTECTION KIT	86636727
ADAPTER PLATE	upon request
SPECIAL PAINTING	upon request

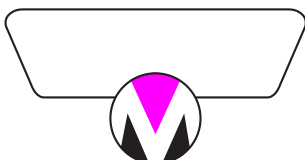
MAINTENANCE KITS

CPN

LEVEL 1	86779709
LEVEL 2	86771706
LEVEL 3	86779717

TOOLS

DIAMETER (MM/IN)	65/2.56	65/2.56
LENGTH (MM/IN)	618/24.3	618/24.3
WEIGHT (KG/LB)	16/35	16/35
CPN	86636370	86636362



The content of this brochure constitutes non-binding information and may be changed at any time without notice. Montabert gives, and the brochure contains, no warranties whatsoever, express or implied. All the contents, including but not limited to text, images, graphics are all subject to copyright and all intellectual property protection. Their use or misuse is strictly prohibited. Montabert, KMC or Komatsu trademarks used herein are the property of their respective companies. Nothing contained on this document shall be construed as constituting any commitment by Montabert or as granting any license or right to use any intellectual property. ©2019 Montabert. All rights reserved.

montabert.com

