

HYDRAULIC ROCK BREAKER

SC42



KEY ASSET
FOR ALL JOBSITES

DESIGNED FOR 5 TO
12 TONNES CARRIERS

COMPACT AND POWERFUL

LANDSCAPING, DEMOLITION,
TRENCHING, CIVIL ENGINEERING,
INSIDE AND OUTSIDE:
VERSATILE AND EFFICIENT

BENEFITS

- Hydraulic accumulator: no more regular nitrogen controls and recharges on jobsites.
- Tie rod free, lighter tool locking system: less weight, more power and reliability.
- Made in France: superior quality steel and manufacturing excellence.
- Standard soundproofing for urban jobsites.
- Easy to install, operate and maintain.

HYDRAULIC ROCK BREAKER

KEY ASSET FOR ALL JOBSITES

SC42

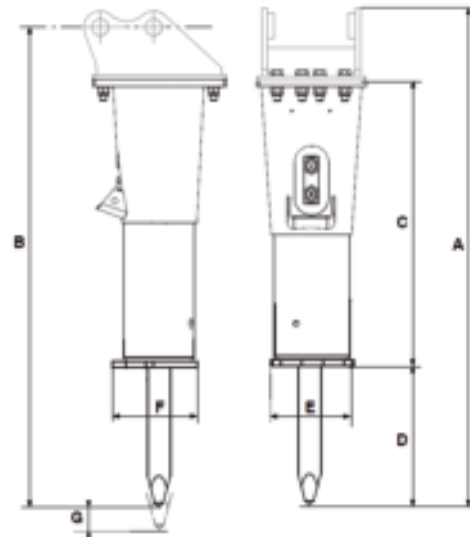
WEIGHT & DIMENSIONS

WEIGHT (KG/LB)

| | | |
|-------------------------------|-----|-------|
| BREAKER | 345 | 761 |
| + MOUNTED TOOL | 379 | 836 |
| + MOUNTED ADAPTER PLATE (MAX) | 465 | 1,021 |

DIMENSIONS (MM/IN)

| | | |
|---|-------|------|
| A | 1,831 | 72 |
| B | 1,776 | 70 |
| C | 1,06 | 41.7 |
| D | 439 | 17.2 |
| E | 270 | 10.6 |
| F | 295 | 11.6 |
| G | 50 | 1.96 |



OPERATING INFORMATION

| | | |
|--------------------------------------|-----------|-----------|
| CARRIER WEIGHT RANGE (MIN-MAX, MT) | 5-12 | |
| OIL FLOW (MIN-MAX, L/MIN / GPM) | 70-120 | 18.5-31.7 |
| MAXIMUM OPERATING PRESSURE (BAR/PSI) | 125 | 1,813 |
| MAXIMUM BACK PRESSURE (BAR/PSI) | 20 | 290 |
| INPUT POWER (KW) | 25 | |
| STRIKING FREQUENCY (MIN-MAX, BPM) | 700-1,440 | |
| NOISE LEVEL /10M (DBA) | 92 | |
| SOUNDPROOFING | standard | |

CONSUMABLES

GREASE CARTRIDGES (X48)

CPN

86799152

OPTIONS

CPN

| | |
|------------------|--------------|
| ADAPTER PLATE | upon request |
| SPECIAL PAINTING | upon request |

MAINTENANCE KITS

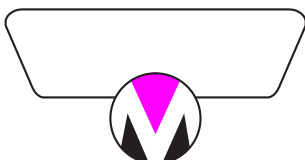
CPN

LEVEL 1

86675857

TOOLS

| | | | |
|------------------|----------|----------|----------|
| DIAMETER (MM/IN) | 84/3.31 | 84/3.31 | 84/3.31 |
| LENGTH (MM/IN) | 785/31 | 785/31 | 785/31 |
| WEIGHT (KG/LB) | 34/75 | 34/75 | 34/75 |
| CPN | 86665338 | 86665361 | 86685047 |



The content of this brochure constitutes non-binding information and may be changed at any time without notice. Montabert gives, and the brochure contains, no warranties whatsoever, express or implied. All the contents, including but not limited to text, images, graphics are all subject to copyright and all intellectual property protection. Their use or misuse is strictly prohibited. Montabert, KMC or Komatsu trademarks used herein are the property of their respective companies. Nothing contained on this document shall be construed as constituting any commitment by Montabert or as granting any license or right to use any intellectual property. ©2019 Montabert. All rights reserved.

montabert.com

