

 HYDRAULIC ROCK BREAKER

V55



CUTTING-EDGE
TECHNOLOGY
RUTHLESS FOR ROCKS

DESIGNED FOR 35 TO
60 TONNES CARRIERS

AUTOMATIC ENERGY PER
BLOW ADJUSTMENT

AUTONOMOUS WORKING
PRESSURE CONTROL

TPS SYSTEM: IMPROVED
TOOL LIFESPAN

BENEFITS

- Hydraulic accumulator:
no more regular nitrogen controls
and recharges on jobsites.
- Made in France: superior quality steel
and manufacturing excellence.
- Operator friendly: blank firing protection,
automatic lubrication, energy recovery
system, easy maintenance.
- Carrier friendly: anti-vibration
dampeners, pressure spikes removal.

HYDRAULIC ROCK BREAKER

CUTTING-EDGE TECHNOLOGY RUTHLESS FOR ROCKS

WEIGHT & DIMENSIONS

WEIGHT (KG/LB)

BREAKER	2,765	6,096
+ MOUNTED TOOL	3,079	6,788
+ MOUNTED ADAPTER PLATE (MAX)	3,593	7,921

DIMENSIONS (MM/IN)

A	2,312	91.02
B1	644	25.3
B2	944	37.2
C	649	25.55
D	420	16.53
E	69	2.7

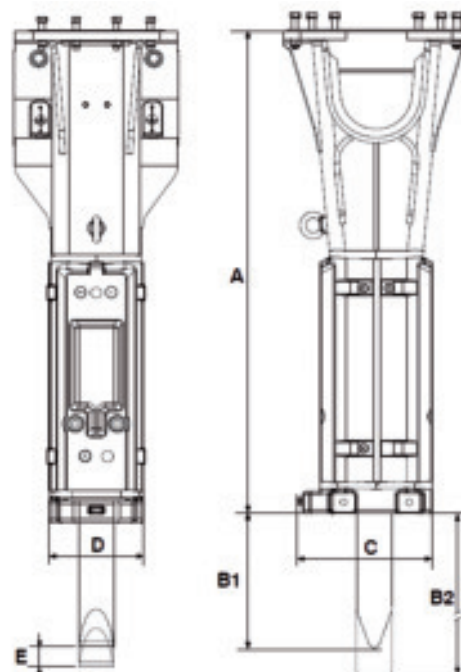
OPERATING INFORMATION

CARRIER WEIGHT RANGE (MIN-MAX, MT)	35-60	
OIL FLOW (MIN-MAX, L/MIN / GPM)	240-320	63.4-85
MAXIMUM OPERATING PRESSURE (BAR/PSI)	165	2,393
MAXIMUM BACK PRESSURE (BAR/PSI)	8	116
INPUT POWER (KW)	88	
STRIKING FREQUENCY (BPM)	330-1,045	
NOISE LEVEL /10M (DBA)	96	
AUTOMATIC LUBRICATION	standard	
SOUNDPROOFING	standard	
PRESSURIZATION	preinstalled	

OPTIONS

CPN

PRESSURIZATION KIT	86372505
SOFTSTART	upon request
ADAPTER PLATE	upon request
SPECIAL PAINTING	upon request



CONSUMABLES

CPN

GREASE CARTRIDGES (X20)	86784758
ABL2 GREASE BUCKET (24 KG)	86772969
ABLF GREASE BUCKET (24 KG)	86772977

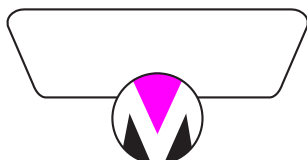
MAINTENANCE KITS

CPN

BASIC	86687753
LEVEL 1	86700804
LEVEL 2	86700812

TOOLS

DIAMETER (MM/IN)	170/6.69	170/6.69	170/6.69	170/6.69	170/6.69
LENGTH (MM/IN)	1,500/59.05	1,500/59.05	1,800/70.86	1,500/59.05	1,800/70.86
WEIGHT (KG/LB)	241/531	246/542	299/659	257/567	314/692
CPN	86624020	86612496	86640729	86624046	86669850



The content of this brochure constitutes non-binding information and may be changed at any time without notice. Montabert gives, and the brochure contains, no warranties whatsoever, express or implied. All the contents, including but not limited to text, images, graphics are all subject to copyright and all intellectual property protection. Their use or misuse is strictly prohibited. Montabert, KMC or Komatsu trademarks used herein are the property of their respective companies. Nothing contained on this document shall be construed as constituting any commitment by Montabert or as granting any license or right to use any intellectual property. ©2019 Montabert. All rights reserved.

montabert.com

