

HYDRAULIC ROCK BREAKER
XL1700



NITROGEN
TECHNOLOGY
AT ITS BEST

BENEFITS

DESIGNED FOR 18 TO
28 TONNES CARRIERS

REDUCED COSTS,
UNCOMPROMISED
QUALITY

DESIGNED AND
PRODUCED
IN FRANCE

- High performance seals: nitrogen pressure remains stable over time, avoiding time consuming controls and recharges.
- Standard essentials: blank firing protection, energy recovery system, reinforced housing, full range of working tools.
- As green as others: designed and manufactured by Montabert, with the brand usual standards.

HYDRAULIC ROCK BREAKER

NITROGEN TECHNOLOGY AT ITS BEST

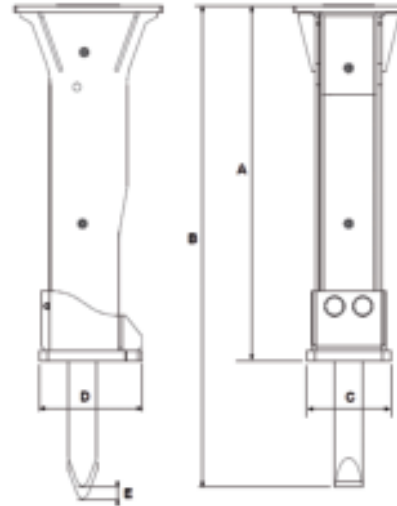
WEIGHT & DIMENSIONS

WEIGHT (KG/LB)

BREAKER	1,301	2,868
+ MOUNTED TOOL	1,432	3,137
+ MOUNTED ADAPTER PLATE (MAX)	1,777	3,918

DIMENSIONS (MM/IN)

A	1,725	67.9
B	2,337	92
C	409	16.1
D	499	19.6
E	58	2.3



OPERATING INFORMATION

CARRIER WEIGHT RANGE (MIN-MAX, MT)	18-28	
OIL FLOW (MIN-MAX, L/MIN / GPM)	100-150	26.4-40
MAXIMUM OPERATING PRESSURE (BAR/PSI)	180	2,611
MAXIMUM BACK PRESSURE (BAR/PSI)	17	247
INPUT POWER (KW)	45	
STRIKING FREQUENCY (BPM)	340-560	
NOISE LEVEL /10M (DBA)	89	
AUTOMATIC LUBRICATION	option	
SOUNDPROOFING	standard	
INSPECTION KIT	standard	
PRESSURIZATION	preinstalled	

CONSUMMABLES

CONSUMMABLES	CPN
GREASE CARTRIDGES (X20)	86784758
ABL2 GREASE BUCKET (24 KG)	86772969
ABLF GREASE BUCKET (24 KG)	86772977

OPTIONS

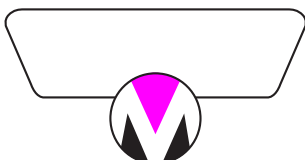
OPTIONS	CPN
PRESSURIZATION KIT	86766888
ADAPTER PLATE	upon request
SPECIAL PAINTING	upon request

MAINTENANCE KITS

MAINTENANCE KITS	CPN
BASIC	101042757

TOOLS

TOOLS	CPN	CPN	CPN	CPN
DIAMETER (MM/IN)	142/5.59	142/5.59	142/5.59	142/5.59
LENGTH (MM/IN)	1,345/52.95	1,345/52.95	1,345/52.95	1,345/52.95
WEIGHT (KG/LB)	148/326	153/337	158/348	148/326
CPN	86793254	86793270	86793288	86793262



The content of this brochure constitutes non-binding information and may be changed at any time without notice. Montabert gives, and the brochure contains, no warranties whatsoever, express or implied. All the contents, including but not limited to text, images, graphics are all subject to copyright and all intellectual property protection. Their use or misuse is strictly prohibited. Montabert, KMC or Komatsu trademarks used herein are the property of their respective companies. Nothing contained on this document shall be construed as constituting any commitment by Montabert or as granting any license or right to use any intellectual property. ©2019 Montabert. All rights reserved.

montabert.com

