

## CYH 530 CYH 530D



Chrome appearance grille available on 530 models only  
Vehicle shown not representative of CYH 530

### WEIGHT RATINGS

<b>GVM</b>	29,000 kg
<b>GCM</b>	62,000 kg

### ENGINE

<b>POWER</b>	382 kW (520PS) @ 1,800 rpm (DIN NET)
<b>TORQUE</b>	2,256 Nm @ 900 - 1,300 rpm (DIN NET)

### TRANSMISSION

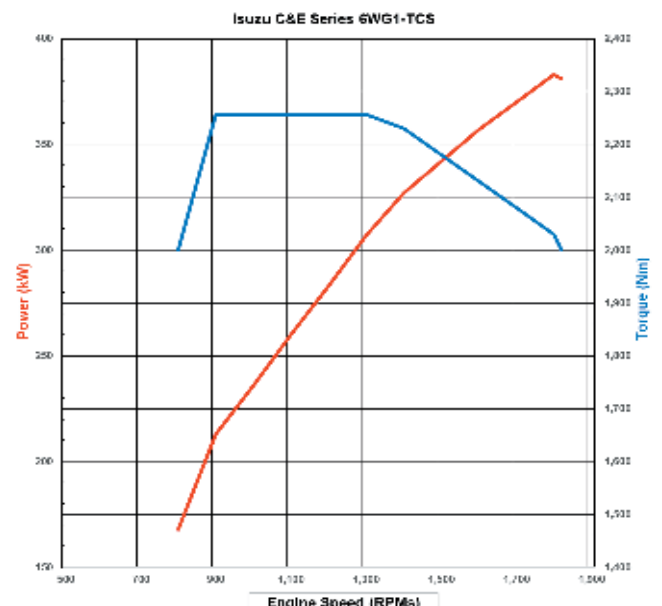
<b>18 speed manual transmission (MT)</b>
<b>16 speed automated manual transmission (AMT)</b>

\* Refer to back page for detailed weight rating information

INTELLIGENT SAFETY	
<b>ACTIVE SAFETY ADVANCED DRIVER ASSISTANCE SYSTEMS (ADAS)</b>	Advanced Emergency Brake System <b>(AEB)</b>
	Adaptive Cruise Control (AMT only) <b>(ACC)</b>
	Adaptive Driving Beam headlights <b>(ADB)</b>
	Anti Skid Regulator <b>(ASR)</b>
	Anti Lock Braking System <b>(ABS)</b>
	Automatic Lighting System <b>(ALS)</b>
	Distance Warning System <b>(DWS)</b>
	Electronic Brake System <b>(EBS)</b>
	Electronic Stability Control <b>(ESC)</b>
	Forward Collision Warning <b>(FCW)</b>
	Hill Start Aid <b>(HSA)</b>
<b>PASSIVE SAFETY CABIN OCCUPANT SAFETY SYSTEMS (COSS)</b>	Lane Departure Warning <b>(LDW)</b>
	Traffic Movement Warning <b>(TMW)</b>
	Vehicle Assistance Technology <b>(VAT)</b>
	Drivers side airbag & seatbelt pretensioner Multi-function steering wheel controls Internally reinforced doors

ISUZU WARRANTY COVER	
<b>WARRANTY</b>	5 Year / 500,000 km Warranty*

ENGINE	
<b>DESCRIPTION</b>	Isuzu 6WG1 - TCS
<b>TYPE</b>	6 cylinder 24 valve SOHC
<b>DISPLACEMENT</b>	15,681 cc
<b>BORE X STROKE</b>	147mm x 154mm
<b>POWER</b>	382 kW (520PS) @ 1,800 rpm (DIN NET)
<b>TORQUE</b>	2,256 Nm @ 900 - 1,300 rpm (DIN NET)
<b>INDUCTION</b>	Electronically controlled variable nozzle turbocharger with air-to-air intercooler
<b>FUEL INJECTION</b>	Direct injection high pressure common rail
<b>EMISSION CONTROL</b>	Selective Catalytic Reduction (SCR). Euro V compliant



CLUTCH	
MT	<b>Type:</b> Eaton twin plate with clutch brake
	<b>Clutch Plate Diameter:</b> 394mm (15.5")
AMT	<b>Type:</b> Diaphragm twin plate pull type
	<b>Clutch Plate Diameter:</b> 394mm (15.5")

TRANSMISSION																																											
MT	<b>Description:</b> Eaton RTL018918B																																										
	<b>Type:</b> 18 speed manual constant mesh																																										
	<b>Ratios:</b>																																										
	<table border="1"> <thead> <tr> <th>1ST</th> <th>2ND</th> <th>3RD</th> <th>4TH</th> <th>5TH</th> <th>6TH</th> <th>7TH</th> </tr> </thead> <tbody> <tr> <td>14.40</td> <td>12.29</td> <td>8.56</td> <td>7.30</td> <td>6.05</td> <td>5.15</td> <td>4.38</td> </tr> <tr> <th>8TH</th> <th>9TH</th> <th>10TH</th> <th>11TH</th> <th>12TH</th> <th>13TH</th> <th>14TH</th> </tr> <tr> <td>3.74</td> <td>3.20</td> <td>2.73</td> <td>2.29</td> <td>1.92</td> <td>1.62</td> <td>1.38</td> </tr> <tr> <th>15TH</th> <th>16TH</th> <th>17TH</th> <th>18TH</th> <td colspan="3"></td> </tr> <tr> <td>1.17</td> <td>1.00</td> <td>0.86</td> <td>0.73</td> <td colspan="3"></td> </tr> </tbody> </table>	1ST	2ND	3RD	4TH	5TH	6TH	7TH	14.40	12.29	8.56	7.30	6.05	5.15	4.38	8TH	9TH	10TH	11TH	12TH	13TH	14TH	3.74	3.20	2.73	2.29	1.92	1.62	1.38	15TH	16TH	17TH	18TH				1.17	1.00	0.86	0.73			
	1ST	2ND	3RD	4TH	5TH	6TH	7TH																																				
14.40	12.29	8.56	7.30	6.05	5.15	4.38																																					
8TH	9TH	10TH	11TH	12TH	13TH	14TH																																					
3.74	3.20	2.73	2.29	1.92	1.62	1.38																																					
15TH	16TH	17TH	18TH																																								
1.17	1.00	0.86	0.73																																								
<b>Reverse:</b> L/L 15.05, L/H 12.86, H/L 4.03, H/H 3.43																																											
<b>Power Take Off facility:</b> Provision on bottom & RHS transmission case																																											
AMT	<b>Description:</b> Isuzu MJX16																																										
	<b>Type:</b> 16 speed Automated Manual synchromesh																																										
	<b>Ratios:</b>																																										
	<table border="1"> <thead> <tr> <th>1ST</th> <th>2ND</th> <th>3RD</th> <th>4TH</th> <th>5TH</th> <th>6TH</th> <th>7TH</th> </tr> </thead> <tbody> <tr> <td>14.01</td> <td>11.34</td> <td>9.93</td> <td>8.03</td> <td>6.84</td> <td>5.53</td> <td>4.58</td> </tr> <tr> <th>8TH</th> <th>9TH</th> <th>10TH</th> <th>11TH</th> <th>12TH</th> <th>13TH</th> <th>14TH</th> </tr> <tr> <td>3.71</td> <td>3.05</td> <td>2.47</td> <td>2.16</td> <td>1.75</td> <td>1.49</td> <td>1.20</td> </tr> <tr> <th>15TH</th> <th>16TH</th> <th>REV1</th> <th>REV2</th> <td colspan="3"></td> </tr> <tr> <td>1.00</td> <td>0.81</td> <td>12.58</td> <td>10.18</td> <td colspan="3"></td> </tr> </tbody> </table>	1ST	2ND	3RD	4TH	5TH	6TH	7TH	14.01	11.34	9.93	8.03	6.84	5.53	4.58	8TH	9TH	10TH	11TH	12TH	13TH	14TH	3.71	3.05	2.47	2.16	1.75	1.49	1.20	15TH	16TH	REV1	REV2				1.00	0.81	12.58	10.18			
	1ST	2ND	3RD	4TH	5TH	6TH	7TH																																				
14.01	11.34	9.93	8.03	6.84	5.53	4.58																																					
8TH	9TH	10TH	11TH	12TH	13TH	14TH																																					
3.71	3.05	2.47	2.16	1.75	1.49	1.20																																					
15TH	16TH	REV1	REV2																																								
1.00	0.81	12.58	10.18																																								
<b>Power Take Off facility:</b> Provision on LHS of transmission case																																											

AXLES	
FRONT	<b>Description:</b> Isuzu FO66 tandem steer
	<b>Type:</b> Reverse Elliot I-beam
	<b>Capacity:</b> 13,200 kg (combined)
REAR	<b>Description:</b> RT210 (CYH 530) RT260 (CYH 530D)
	<b>Type:</b> Hypoid tandem drive with inter-axle lock No-spin differentials (CYH 530D)
	<b>Capacity:</b> 21,000 kg (CYH 530) 26,000 kg (CYH 530D)
	<b>Ratio:</b> CYH530: 4.10:1 (MT) / 4.33:1 (AMT) CYH530D: 4.87:1

SUSPENSION	
FRONT	Tapered parabolic leaf springs with double acting shock absorbers & stabiliser bar on 1st axle
REAR	Isuzu 6 rod trunion with tapered parabolic leaf springs

BRAKES	
TYPE	Dual circuit drum brake system featuring:
	- Electronic Brake System (EBS)
	- Electronic Stability Control (ESC)
	- Hill Start Assist (HSA)
	- Advanced Emergency Brake System (AEB)
DIAMETER FRONT	410mm x 160mm
DIAMETER REAR	410mm x 220mm
PARK BRAKE	Spring operated on rear axles
AUXILIARY BRAKE	Isuzu air operated exhaust brake Isuzu magnetic driveshaft retarder

STEERING	
TYPE	Recirculating ball with integral power assistance
WHEEL LOCK ANGLE	<b>Axle one:</b> Inner 47° / Outer 36°
	<b>Axle two:</b> Inner 39° / Outer 31°

WHEELS & TYRES	
FRONT	<b>Wheels:</b> 22.5" x 8.25" 165mm offset, Alcoa disc
	<b>Tyres:</b> 275/70R22.5 148/145 (CYH 530) 11R22.5 148/145 (CYH 530D)
	<b>Max tyre rating:</b> 12,600 kg (combined)
REAR	<b>Wheels:</b> 22.5" x 8.25" 165mm offset, Alcoa alloy disc
	<b>Tyres:</b> 275/70R22.5 148/145 (CYH 530) 11R22.5 148/145 (CYH 530D)
	<b>Max tyre rating:</b> 23,200 kg

CHASSIS FRAME	
TYPE	Rolled steel channel. Cold riveted ladder frame. HT540 weldable steel
DIMENSIONS	285mm x 85mm x 7mm (CYH 530)
	319mm x 90mm x 7.5mm (CYH 530D)

FUEL TANK & ADBLUE TANK	
TYPE	Frame mounted alloy fuel tank LHS. Frame mounted AdBlue tank LHS
CAPACITY	Diesel = 400L / AdBlue = 75L
FUEL CAP	Lockable

ELECTRICAL SYSTEM	
TYPE	24 volt
ALTERNATOR	60 amp
STARTER MOTOR	24V / 7.0kW output
BATTERY	2 x N120, (660 CCA) connected in series

CABIN GENERAL FEATURES	
<b>STEPS</b>	Three heavy duty anti-slip steps
<b>DOORS</b>	Drivers: 88° & passengers: 70° opening internally reinforced doors
<b>MIRRORS</b>	Door mounted 22" main & convex mirrors heated & power adjustable
<b>WIPERS</b>	Two speed windscreen wipers with variable intermittent wipe mode
<b>EXTERIOR LIGHTING</b>	Adaptive driving beam (ADB), LED automated headlights with wash function & automated rear LED combination lamps Roof mounted clearance lamps Front LED fog lamps
<b>AUDIBLE WARNING</b>	Reverse alarm
<b>GRILLE</b>	Chrome finish
<b>SECURITY</b>	Central locking with keyless entry and engine immobiliser

INSTRUMENTATION	
<b>MULTI INFORMATION DISPLAY</b>	AEB, FCW, DWS, LDW, ADB, HSA, ACC (AMT only), TMW, EBS, ESC Low fuel, water separator, low coolant, AdBlue warnings, speed limit, engine overheat, ASR, low voltage, charging, engine oil pressure, cab tilt, low air pressure, parking brake, AMT-warnings, VAT system, radar, cruise control, weave warning, maintenance display, fuel economy advice.
<b>GENERAL INSTRUMENTATION</b>	Speedometer, Tachometer, air pressure, coolant temp & AdBlue gauges Hour meter, odometer / trip meter

CABIN INTERIOR	
<b>SEATING</b>	<b>Driver:</b> ISRINGHAUSEN 6860 with arm rest (AMT only) Integrated seatbelt with pre-tensioner, shoulder adjustment, heater/ventilation, lumbar support, firmness adjustment, seat cushion tilt, lowering, horizontal position & height adjustment <b>Passenger:</b> Fixed bucket with reclining adjustment
<b>SEATBELTS</b>	3-point type on drivers & passenger seats
<b>STEERING COLUMN</b>	Adjustable up/down & forward/backward tilt
<b>ENTRY ASSIST GRIPS</b>	Driver & passenger large assist hand grip with a sill plate grip. Driver's step light
<b>DOOR WINDOWS</b>	Electrically operated
<b>STORAGE</b>	Centre storage console Two overhead storage lockers Dual cup holders
<b>POWER OUTLET</b>	Two 5V 2.4 USB outlets & one 24V socket
<b>AIRCONDITIONING</b>	Auto control
<b>INTERIOR LIGHTING</b>	LED interior lighting



AUDIO VISUAL UNIT	
<b>SCREEN TYPE</b>	6.2" LCD with capacitive touch
<b>OPERATING SYSTEM</b>	Android
<b>RADIO</b>	AM/FM/DAB+ Internet radio via smart phone
<b>INTERNAL STORAGE CAPACITY</b>	32GB
<b>OTHER CAPABILITY</b>	Provision for external camera inputs, navigation, reverse sensors and tyre pressure monitoring

DRIVER CONTROLS	
<b>SAFETY SYSTEMS</b>	AEB off, LDW & ACC on/off, FCW & ACC distance setting, ESC off, head lamps & ALS on/off HSA on/off switch
<b>ENGINE</b>	Idle speed control Cruise control
<b>TRANSMISSION (AMT)</b>	Auto/Manual, Econo, Smart Glide off, shift down retarder over ride & skip shift switches
<b>GENERAL CONTROLS</b>	Exhaust brake & retarder controls, windscreen/washer switch, horn, remote mirror switches, super kick drive switch & inter-axle lock



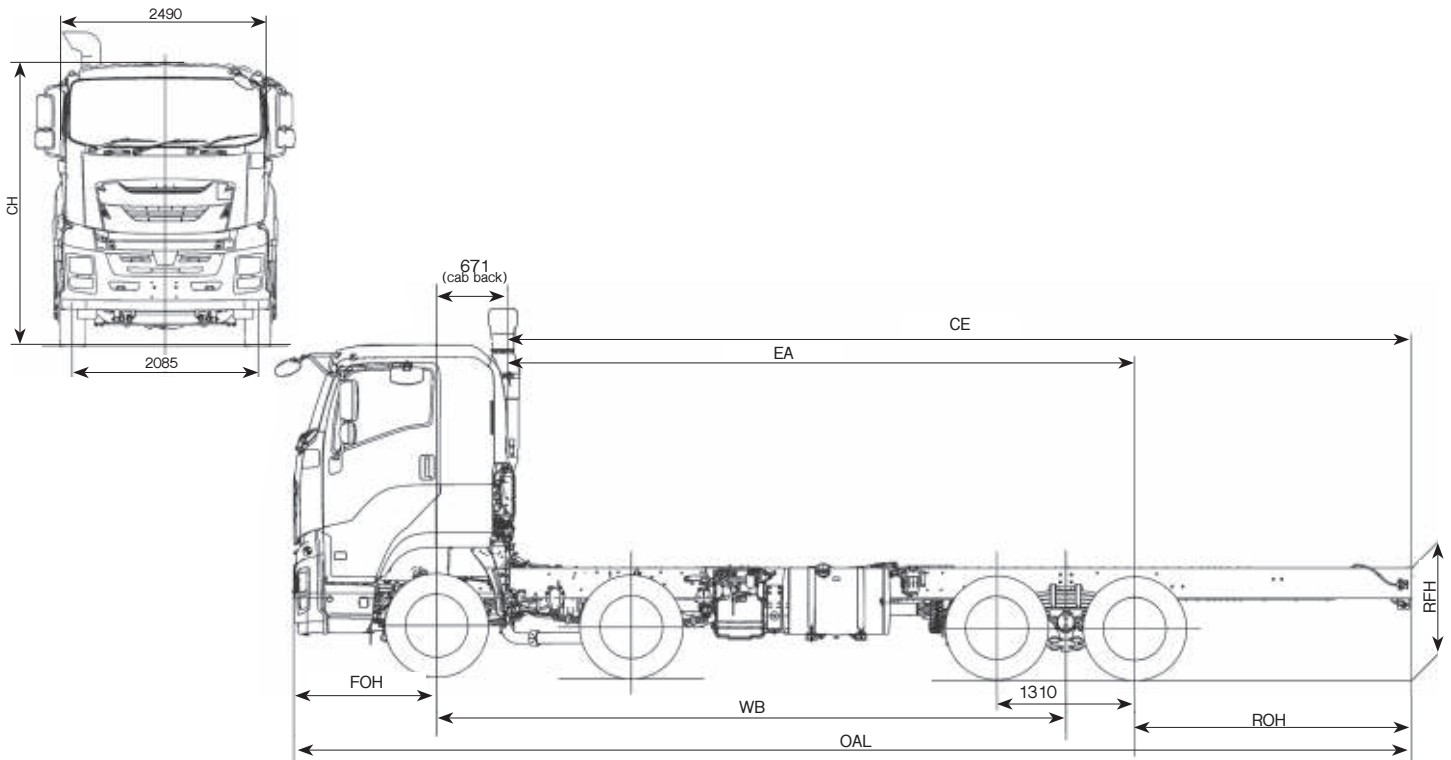
AMT model shown

WEIGHTS (kg)							
MODELS	RATINGS*		LOADING LIMIT* (at ground)		CAB CHASSIS WEIGHT #		
	GVM	GCM	FRONT	REAR	FRONT	REAR	TOTAL
CYH 530	29,000	62,000	11,000	15,000	6,035	3,835	9,420
CYH 530 AMT	29,000	62,000	11,000	15,000	6,000	3,400	9,400
CYH 530D	29,000	62,000	11,000	15,000	6,150	3,630	9,780
CYH 530D AMT	29,000	62,000	11,000	15,000	6,115	3,640	9,755

\* Vehicle ratings and axle weight limits are subject to government regulatory requirements and weight distribution analysis. Consult your Isuzu dealer to select the correct vehicle for your specific application.

# Cab chassis only as supplied and including 10 litres of fuel.

DIMENSIONS (mm)											(m)
MODELS	WB	OAL	FOH	ROH	EA	CE	REAR TRACK	OUTSIDE REAR TRACK	CH (calculated)	RFH (unladen)	TURNING CIRCLE kerb to kerb
CYH 530	5,980	10,635	1,370	2,630	5,964	8,594	2,085	1,870	3,155	TBA	20
CYH 530 AMT	5,980	10,635	1,370	2,630	5,964	8,594	2,085	1,870	3,155	TBA	20
CYH 530D	5,980	10,635	1,370	2,630	5,964	8,594	2,085	1,870	3,188	TBA	20
CYH 530D AMT	5,980	10,635	1,370	2,630	5,964	8,594	2,085	1,870	3,188	TBA	20



PERFORMANCE (calculated - typical paved road)				
		GEARED SPEED* (top gear at peak power engine rpm)	LOW SPEED GRADEABILITY (lowest forward gear assuming no wheel slip)	ENGINE SPEED (top gear at 90 km/h)
CYH 530	At 29,000 kg GVM	107 km/h @ 1,800 rpm	90%	1,517 rpm
CYH 530 AMT	At 29,000 kg GVM	91 km/h @ 1,800 rpm	92%	1,778 rpm
CYH 530D	At 29,000 kg GVM	99 km/h @ 1,800 rpm	97%	1,637 rpm
CYH 530D AMT	At 29,000 kg GVM	89 km/h @ 1,800 rpm	94%	1,817 rpm

\* Maximum speed achievable depends on vehicle frontal area as well as other factors. Consult your Isuzu dealer for more detailed information.

ORDER CODES	
MODELS	CODES
CYH 530	CH0615
CYH 530 AMT	CH0622
CYH 530D	CH0415
CYH 530D AMT	CH0422

#Total 5 Year Warranty, including Base Warranty (36 months / 250,000kms) and Additional Warranty (24 months / 250,000kms), cover is 60 months or 500,000kms, whichever comes first. To qualify for Additional Warranty, all scheduled servicing during the Base and Additional Warranty periods (ie. the total 60 months) must be performed by an authorised Isuzu service dealer from the date of delivery to the first customer. If scheduled servicing is performed by unauthorized service providers, only the Base Warranty will apply.

The information in this spec sheet was correct at time of printing, but all measurements, specifications and equipment are subject to change without notice. Some equipment may have been changed and/or is available at extra cost. Isuzu New Zealand (INZ) may make changes at any time without notice, in prices, colours, materials, equipment and models. INZ makes all reasonable attempts to ensure the availability of all vehicles and equipment. The information in this spec sheet is general in nature. Your Isuzu dealer can confirm all measurements, specifications and vehicle / equipment availability upon request. To the extent permitted by the law, INZ is not liable to any person as result of reliance on the content of this spec sheet.