

## CYZ 460



Chrome appearance grille available on 530 models only  
Vehicle shown not representative of CYZ 460

### WEIGHT RATINGS

<b>GVM</b>	24,000 kg
<b>GCM</b>	58,000 kg

### ENGINE

<b>POWER</b>	338 kW (460PS) @ 1,800 rpm (DIN NET)
<b>TORQUE</b>	2,256 Nm @ 900 - 1,300 rpm (DIN NET)

### TRANSMISSION

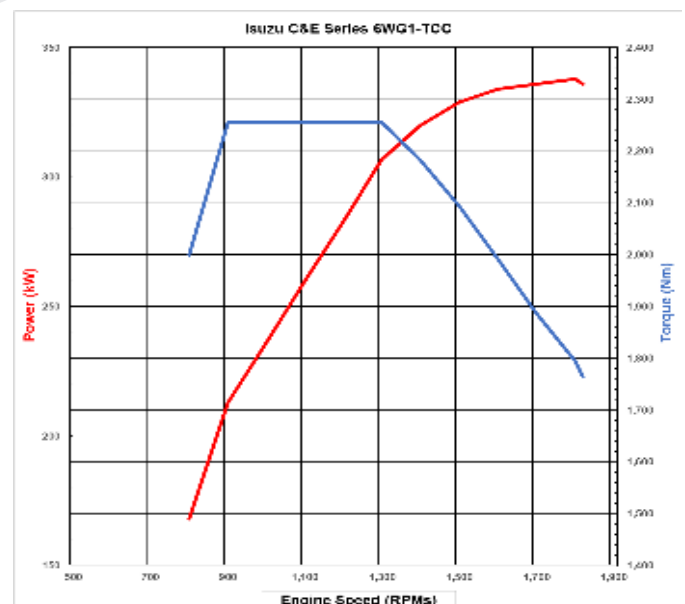
<b>18 speed manual transmission (MT)</b>
<b>16 speed automated manual transmission (AMT)</b>

\* Refer to back page for detailed weight rating information

INTELLIGENT SAFETY	
<b>ACTIVE SAFETY ADVANCED DRIVER ASSISTANCE SYSTEMS (ADAS)</b>	System (AEB)
	Adaptive Cruise Control (AMT only) (ACC)
	Adaptive Driving Beam headlights (ADB)
	Anti Skid Regulator (ASR)
	Anti Lock Braking System (ABS)
	Automatic Lighting System (ALS)
	Distance Warning System (DWS)
	Electronic Brake System (EBS)
	Electronic Stability Control (ESC)
	Forward Collision Warning (FCW)
	Hill Start Aid (MT only) (HSA)
<b>PASSIVE SAFETY CABIN OCCUPANT SAFETY SYSTEMS (COSS)</b>	Lane Departure Warning (LDW)
	Traffic Movement Warning (TMW)
	Vehicle Assistance Technology (VAT)
	Drivers side airbag & seatbelt pretensioner Multi-function steering wheel controls Internally reinforced doors

ISUZU WARRANTY COVER	
<b>WARRANTY</b>	5 Year / 500,000km Warranty*

ENGINE	
<b>DESCRIPTION</b>	Isuzu 6WG1 - TCC
<b>TYPE</b>	6 cylinder 24 valve SOHC
<b>DISPLACEMENT</b>	15,681 cc
<b>BORE X STROKE</b>	147mm x 154mm
<b>POWER</b>	338 kW (460PS) @ 1,800 rpm (DIN NET)
<b>TORQUE</b>	2,256 Nm @ 900 - 1,300 rpm (DIN NET)
<b>INDUCTION</b>	Electronically controlled variable nozzle turbocharger with air-to-air intercooler
<b>FUEL INJECTION</b>	Direct injection high pressure common rail
<b>EMISSION CONTROL</b>	Selective Catalytic Reduction (SCR). Euro V compliant



CLUTCH	
<b>MT</b>	<b>Type:</b> Eaton twin plate with clutch brake
	<b>Clutch Plate Diameter:</b> 394mm (15.5")
<b>AMT</b>	<b>Type:</b> Diaphragm twin plate pull type
	<b>Clutch Plate Diameter:</b> 394mm (15.5")

TRANSMISSION																																											
<b>MT</b>	<b>Description:</b> Eaton RTL018918B																																										
	<b>Type:</b> 18 speed manual constant mesh																																										
	<b>Ratios:</b>																																										
	<table border="1"> <thead> <tr> <th>1ST</th> <th>2ND</th> <th>3RD</th> <th>4TH</th> <th>5TH</th> <th>6TH</th> <th>7TH</th> </tr> </thead> <tbody> <tr> <td>14.40</td> <td>12.29</td> <td>8.56</td> <td>7.30</td> <td>6.05</td> <td>5.15</td> <td>4.38</td> </tr> <tr> <th>8TH</th> <th>9TH</th> <th>10TH</th> <th>11TH</th> <th>12TH</th> <th>13TH</th> <th>14TH</th> </tr> <tr> <td>3.74</td> <td>3.20</td> <td>2.73</td> <td>2.29</td> <td>1.92</td> <td>1.62</td> <td>1.38</td> </tr> <tr> <th>15TH</th> <th>16TH</th> <th>17TH</th> <th>18TH</th> <td></td> <td></td> <td></td> </tr> <tr> <td>1.17</td> <td>1.00</td> <td>0.86</td> <td>0.73</td> <td></td> <td></td> <td></td> </tr> </tbody> </table>	1ST	2ND	3RD	4TH	5TH	6TH	7TH	14.40	12.29	8.56	7.30	6.05	5.15	4.38	8TH	9TH	10TH	11TH	12TH	13TH	14TH	3.74	3.20	2.73	2.29	1.92	1.62	1.38	15TH	16TH	17TH	18TH				1.17	1.00	0.86	0.73			
	1ST	2ND	3RD	4TH	5TH	6TH	7TH																																				
14.40	12.29	8.56	7.30	6.05	5.15	4.38																																					
8TH	9TH	10TH	11TH	12TH	13TH	14TH																																					
3.74	3.20	2.73	2.29	1.92	1.62	1.38																																					
15TH	16TH	17TH	18TH																																								
1.17	1.00	0.86	0.73																																								
<b>Reverse:</b> L/L 15.05, L/H 12.86, H/L 4.03, H/H 3.43																																											
<b>Power Take Off facility:</b> Provision on bottom & RHS transmission case																																											
<b>AMT</b>	<b>Description:</b> Isuzu MJX16																																										
	<b>Type:</b> 16 speed Automated Manual synchromesh																																										
	<b>Ratios:</b>																																										
	<table border="1"> <thead> <tr> <th>1ST</th> <th>2ND</th> <th>3RD</th> <th>4TH</th> <th>5TH</th> <th>6TH</th> <th>7TH</th> </tr> </thead> <tbody> <tr> <td>14.01</td> <td>11.34</td> <td>9.93</td> <td>8.03</td> <td>6.84</td> <td>5.53</td> <td>4.58</td> </tr> <tr> <th>8TH</th> <th>9TH</th> <th>10TH</th> <th>11TH</th> <th>12TH</th> <th>13TH</th> <th>14TH</th> </tr> <tr> <td>3.71</td> <td>3.05</td> <td>2.47</td> <td>2.16</td> <td>1.75</td> <td>1.49</td> <td>1.20</td> </tr> <tr> <th>15TH</th> <th>16TH</th> <th>REV1</th> <th>REV2</th> <td></td> <td></td> <td></td> </tr> <tr> <td>1.00</td> <td>0.81</td> <td>12.58</td> <td>10.18</td> <td></td> <td></td> <td></td> </tr> </tbody> </table>	1ST	2ND	3RD	4TH	5TH	6TH	7TH	14.01	11.34	9.93	8.03	6.84	5.53	4.58	8TH	9TH	10TH	11TH	12TH	13TH	14TH	3.71	3.05	2.47	2.16	1.75	1.49	1.20	15TH	16TH	REV1	REV2				1.00	0.81	12.58	10.18			
	1ST	2ND	3RD	4TH	5TH	6TH	7TH																																				
14.01	11.34	9.93	8.03	6.84	5.53	4.58																																					
8TH	9TH	10TH	11TH	12TH	13TH	14TH																																					
3.71	3.05	2.47	2.16	1.75	1.49	1.20																																					
15TH	16TH	REV1	REV2																																								
1.00	0.81	12.58	10.18																																								
<b>Power Take Off facility:</b> Provision on LHS of transmission case																																											

AXLES	
<b>FRONT</b>	<b>Description:</b> Isuzu F075
	<b>Type:</b> Reverse Elliot I-beam
	<b>Capacity:</b> 7,500 kg
<b>REAR</b>	<b>Description:</b> Isuzu RT260
	<b>Type:</b> Hypoid tandem drive with inter-axle lock
	<b>Capacity:</b> 26,000 kg
	<b>Ratio:</b> 4.33:1

SUSPENSION	
<b>FRONT</b>	Tapered parabolic leaf springs with double acting shock absorbers & stabiliser bar
<b>REAR</b>	Isuzu 6 rod trunion with tapered parabolic leaf springs

BRAKES	
<b>TYPE</b>	Dual circuit drum brake system featuring:
	- Electronic Brake System (EBS)
	- Electronic Stability Control (ESC)
	- Hill Start Assist (HSA) (MT only)
	- Advanced Emergency Brake System (AEB)
<b>DIAMETER FRONT</b>	410mm x 160mm
<b>DIAMETER REAR</b>	410mm x 220mm
<b>PARK BRAKE</b>	Spring operated on rear axles
<b>AUXILIARY BRAKE</b>	Isuzu air operated exhaust brake
	Isuzu magnetic driveshaft retarder

STEERING	
<b>TYPE</b>	Recirculating ball with integral power assistance
<b>WHEEL LOCK ANGLE</b>	Inner 49° / Outer 37°

WHEELS & TYRES	
<b>FRONT</b>	<b>Wheels:</b> 22.5" x 8.25" 165mm offset, Alcoa disc
	<b>Tyres:</b> 11R22.5 148/145
	<b>Max tyre rating:</b> 6,300 kg
<b>REAR</b>	<b>Wheels:</b> 22.5" x 8.25" 165mm offset, Alcoa alloy disc
	<b>Tyres:</b> 11R22.5 148/145
	<b>Max tyre rating:</b> 23,200 kg

CHASSIS FRAME	
<b>TYPE</b>	Rolled steel channel. Cold riveted ladder frame HT540 weldable steel
<b>DIMENSIONS</b>	318mm x 90mm x 7mm

FUEL TANK & ADBLUE TANK	
<b>TYPE</b>	Frame mounted alloy fuel tank LHS. Frame mounted AdBlue tank LHS
<b>CAPACITY</b>	Diesel = 400L / AdBlue = 75L
<b>FUEL CAP</b>	Lockable

ELECTRICAL SYSTEM	
<b>TYPE</b>	24 volt
<b>ALTERNATOR</b>	60 amp
<b>STARTER MOTOR</b>	24V-7.0kW output
<b>BATTERY</b>	2 x N120, (660 CCA) connected in series

CABIN GENERAL FEATURES	
<b>STEPS</b>	Three heavy duty anti-slip steps
<b>DOORS</b>	Drivers: 88° & passengers: 70° opening internally reinforced doors
<b>MIRRORS</b>	Door mounted 22" main & convex mirrors heated & power adjustable
<b>WIPERS</b>	Two speed windscreen wipers with variable intermittent wipe mode
<b>EXTERIOR LIGHTING</b>	Adaptive driving beam (ADB), LED automated headlights with wash function & automated rear LED combination lamps Roof mounted clearance lamps Front LED fog lamps
<b>AUDIBLE WARNING</b>	Reverse alarm
<b>GRILLE</b>	Painted cab colour
<b>SECURITY</b>	Central locking with keyless entry and engine immobiliser

INSTRUMENTATION	
<b>MULTI INFORMATION DISPLAY</b>	AEB, FCW, DWS, LDW, ADB, HSA (MT only), ACC (AMT only), TMW, EBS, ESC Low fuel, water separator, low coolant, AdBlue warnings, speed limit, engine overheat, ASR, low voltage, charging, engine oil pressure, cab tilt, low air pressure, parking brake, AMT-warnings, VAT system, radar, cruise control, weave warning, maintenance display, fuel economy advice.
<b>GENERAL INSTRUMENTATION</b>	Speedometer, Tachometer, air pressure, coolant temp & AdBlue gauges Hour meter, odometer / trip meter

CABIN INTERIOR	
<b>SEATING</b>	<b>Driver:</b> ISRINGHAUSEN 6860 with arm rest (AMT only) Integrated seatbelt with pre-tensioner, shoulder adjustment, heater/ventilation, lumbar support, firmness adjustment, seat cushion tilt, lowering, horizontal position & height adjustment <b>Passenger:</b> Fixed bucket with reclining adjustment
<b>SEATBELTS</b>	3-point type on drivers & passenger seats
<b>STEERING COLUMN</b>	Adjustable up/down & forward/backward tilt
<b>ENTRY ASSIST GRIPS</b>	Driver & passenger large assist hand grip with a sill plate grip. Driver's step light
<b>DOOR WINDOWS</b>	Electrically operated
<b>STORAGE</b>	Centre storage console Driver's overhead storage locker Dual cup holders
<b>POWER OUTLET</b>	Two 24V USB outlets & one 24V socket
<b>AIRCONDITIONING</b>	Auto control
<b>INTERIOR LIGHTING</b>	LED interior lighting



AUDIO VISUAL UNIT	
<b>SCREEN TYPE</b>	6.2" LCD with capacitive touch
<b>OPERATING SYSTEM</b>	Android
<b>RADIO</b>	AM/FM/DAB+ Internet radio via smart phone
<b>INTERNAL STORAGE CAPACITY</b>	32GB
<b>OTHER CAPABILITY</b>	Provision for external camera inputs, navigation, reverse sensors and tyre pressure monitoring

DRIVER CONTROLS	
<b>SAFETY SYSTEMS</b>	AEB off, LDW & ACC on/off, FCW & ACC distance setting, ESC off, head lamps & ALS on/off HSA on/off switch (MT only)
<b>ENGINE</b>	Idle speed control Cruise control
<b>TRANSMISSION (AMT)</b>	Auto/Manual, Econo, Smart Glide off, shift down retarder over ride & skip shift switches
<b>GENERAL CONTROLS</b>	Head light leveling, head light washer switch, exhaust brake & retarder controls, windscreen/washer switch, horn, remote mirror switch, inter-axle lock, retarder switches



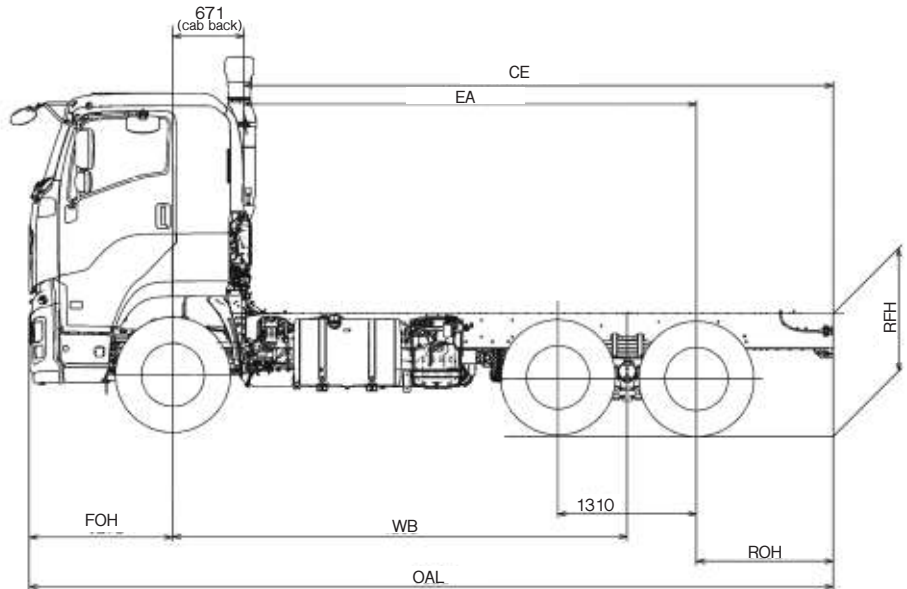
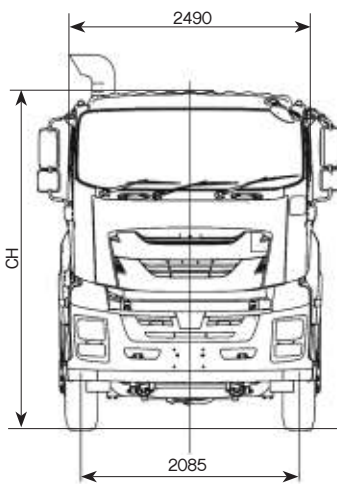
AMT model shown

WEIGHTS (kg)							
MODELS	RATINGS*		LOADING LIMIT* (at ground)		CAB CHASSIS WEIGHT #		
	GVM	GCM	FRONT	REAR	FRONT	REAR	TOTAL
CYZ 460	24,000	58,000	6,000	15,000	4,725	3,750	8,475
CYZ 460 AMT	24,000	58,000	6,000	15,000	4,700	3,765	8,465

\* Vehicle ratings and axle weight limits are subject to government regulatory requirements and weight distribution analysis. Consult your Isuzu dealer to select the correct vehicle for your specific application.

# Cab chassis only as supplied and including 10 litres of fuel.

DIMENSIONS (mm)											(m)
MODELS	WB	OAL	FOH	ROH	EA	CE	REAR TRACK	OUTSIDE REAR TRACK	CH (calculated)	RFH (unladen)	TURNING CIRCLE kerb to kerb
CYZ 460	4,300	7,620	1,370	1,295	4,284	5,579	1,870	2,485	3,166	TBA	14
CYZ 460 AMT	4,300	7,620	1,370	1,295	4,284	5,579	1,870	2,485	3,166	TBA	14



PERFORMANCE (calculated - typical paved road)				
		GEARED SPEED* (top gear at peak power engine rpm)	LOW SPEED GRADEABILITY (lowest forward gear assuming no wheel slip)	ENGINE SPEED (top gear at 90 km/h)
CYZ 460	At 24,000 kg GVM	111 km/h @ 1,800 rpm	48%	1,436 rpm
CYZ 460 AMT	At 24,000 kg GVM	100 km/h @ 1,800 rpm	46%	1,591 rpm

\* Maximum speed achievable depends on vehicle frontal area as well as other factors. Consult your Isuzu dealer for more detailed information.

ORDER CODES	
MODELS	CODES
CYZ 460	CZ0215
CYZ 460 AMT	CZ0515

#Total 5 Year Warranty, including Base Warranty (36 months / 250,000kms) and Additional Warranty (24 months / 250,000kms), cover is 60 months or 500,000kms, whichever comes first. To qualify for Additional Warranty, all scheduled servicing during the Base and Additional Warranty periods (ie. the total 60 months) must be performed by an authorised Isuzu service dealer from the date of delivery to the first customer. If scheduled servicing is performed by unauthorised service providers, only the Base Warranty will apply.

The information in this spec sheet was correct at time of printing, but all measurements, specifications and equipment are subject to change without notice. Some equipment may have been changed and/or is available at extra cost. Isuzu New Zealand (INZ) may make changes at any time without notice, in prices, colours, materials, equipment and models. INZ makes all reasonable attempts to ensure the availability of all vehicles and equipment. The information in this spec sheet is general in nature. Your Isuzu dealer can confirm all measurements, specifications and vehicle / equipment availability upon request. To the extent permitted by the law, INZ is not liable to any person as result of reliance on the content of this spec sheet.